
Designed & Engineered in Italy

GARDEN LIGHT

solar & grid

E001

CONTENT

GARDEN LIGHT

GRID Type

- **ABETE Series**
 - GLA0 060 003 001
 - GLA0 060 003 002
 - GLA0 060 003 003
- **ACERO Series**
 - GLA0 060 001 001
 - GLA0 060 001 002
 - GLA0 060 001 003
 - GLA0 060 001 004
 - GLA0 060 001 005
 - GLA0 060 001 006
 - GLA0 060 001 007
 - GLA0 060 001 008
 - GLA0 060 001 009
- **ARANCIO Series**
 - GLA0 060 022 001
 - GLA0 060 022 002
 - GLA0 060 022 003
- **CEDRO Series**
 - GLA0 060 019 001
 - GLA0 060 019 002
 - GLA0 060 019 003
- **CILIEGIO Series**
 - GLA0 060 007 001
 - GLA0 060 007 002
 - GLA0 060 007 003
 - GLA0 060 007 004
- **CIPRESSO Series**
 - GLA0 060 005 001
 - GLA0 060 005 002
 - GLA0 060 005 003
 - GLA0 060 005 004
- **FRASSINO Series**
 - GLA0 060 018 001
 - GLA0 060 018 002
 - GLA0 060 018 003
 - GLA0 060 018 004
- **GELSO Series**
 - GLA0 060 015 001
 - GLA0 060 015 002
 - GLA0 060 015 003
 - GLA0 060 015 004
- **GINEPRO Series**
 - GLA0 060 016 001
 - GLA0 060 016 002
 - GLA0 060 016 003
- **MANDORLO Series**
 - GLA0 060 008 001
 - GLA0 060 008 002
 - GLA0 060 008 003
 - GLA0 060 008 004
- **MELOGRANO Series**
 - GLA0 060 021 001
 - GLA0 060 021 002
 - GLA0 060 021 003
- **OLIVO Series**
 - GLA0 060 009 001
 - GLA0 060 009 002
 - GLA0 060 009 003
 - GLA0 060 009 004
- **OLMO Series**
 - GLA0 060 002 001
 - GLA0 060 002 002
 - GLA0 060 002 003
 - GLA0 060 002 004
- **PINO Series**
 - GLA0 060 004 001
 - GLA0 060 004 002
 - GLA0 060 004 003
 - GLA0 060 004 004
- **PIOPPPO Series**
 - GLA0 060 020 001
 - GLA0 060 020 002
 - GLA0 060 020 003
 - GLA0 060 020 004
- **SALICE Series**
 - GLA0 060 017 001
 - GLA0 060 017 002
 - GLA0 060 017 003
 - GLA0 060 017 004
- **TIGLIO Series**
 - GLA0 060 006 001
 - GLA0 060 006 002
 - GLA0 060 006 003
 - GLA0 060 006 004

SOLAR Type

- **ACACIA Series**
 - GLSO 060 014 001
 - GLSO 060 014 002
 - GLSO 060 014 003
 - GLSO 060 014 004
- **ALLORO Series**
 - GLSO 060 013 001
 - GLSO 060 013 001
 - GLSO 060 013 003
 - GLSO 060 013 004
 - GLSO 060 013 005
- **BETULLA Series**
 - GLSO 011 028 001
 - GLSO 011 028 002
 - GLSO 011 028 003
 - GLSO 011 028 004
 - GLSO 011 28R 001
 - GLSO 011 28R 002
 - GLSO 011 28R 003
 - GLSO 011 28R 004
- **CASTAGNO Series**
 - GLSO 060 027 001
 - GLSO 060 027 002
 - GLSO 060 027 003
- **FAGGIO Series**
 - GLSO 011 030 001
 - GLSO 011 030 002
 - GLSO 011 030 003
 - GLSO 011 030 004
 - GLSO 011 30R 001
 - GLSO 011 30R 002
 - GLSO 011 30R 003
 - GLSO 011 30R 004
- **FERRARA Series**
 - GLSO 074 FER 001
 - GLSO 074 FER 002
- **GINKO Series**
 - GLSO 011 031 001
- **LARICE Series**
 - GLSO 011 029 001
 - GLSO 011 029 002
 - GLSO 011 029 003
 - GLSO 011 029 004
 - GLSO 011 29R 001
 - GLSO 011 29R 002
 - GLSO 011 29R 003
 - GLSO 011 29R 004
- **MAGNOLIA Series**
 - GLSO 060 011 001
 - GLSO 060 011 002
 - GLSO 060 011 003
 - GLSO 060 011 004
- **MELO Series**
 - GLSO 060 024 001
 - GLSO 060 024 002
 - GLSO 060 024 003
- **NOCCILOLO Series**
 - GLSO 060 026 001
 - GLSO 060 026 002
 - GLSO 060 026 003
- **NOCE Series**
 - GLSO 060 023 001
 - GLSO 060 023 002
 - GLSO 060 023 003
- **OLEANDRO Series**
 - GLSO 060 025 001
 - GLSO 060 025 002
 - GLSO 060 025 003
- **PESCO Series**
 - GLSO 060 012 001
 - GLSO 060 012 002
 - GLSO 060 012 003
 - GLSO 060 012 005
 - GLSO 060 012 006
- **QUERCIA Series**
 - GLSO 060 010 001
 - GLSO 060 010 002
 - GLSO 060 010 003
 - GLSO 060 010 004



AC power

GARDEN LIGHT

ABETE Series

GLA0 060 003 001 / GLA0 060 003 002 / GLA0 060 003 003



ITEM	SPECIFICATIONS		
Product Model	GLA0 060 003 001	GLA0 060 003 002	GLA0 060 003 003
Lumen	12800Lm	16000Lm	24000Lm
LED Power	80W	100W	150W
System Voltage	AC85-265V		
Frequency Range	50~60 Hz		
Working Temperature	-25°C to 65°C		
Material	Aluminium alloy		
Lamp Size	580*480mm		
Luminous Efficiency	160Lm/W		
CRI	Ra80		
Color Temperature	2700K/8000K		
Warranty	3 years		



AC power

GARDEN LIGHT

ACERO Series

GLA0 060 001 001 / GLA0 060 001 002 / GLA0 060 001 003



ITEM	SPECIFICATIONS		
Product Model	GLA0 060 001 001	GLA0 060 001 002	GLA0 060 001 003
Lumen	3600Lm	4800Lm	6000Lm
LED Power	30W	40W	50W
System Voltage	AC85-265V		
Frequency Range	50~60 Hz		
Working Temperature	-25°C to 65°C		
Material	Aluminium		
Lamp Size	598*578mm		
Luminous Efficiency	120Lm/W		
CRI	Ra80		
Color Temperature	3000K/6000K		
Warranty	3 years		



AC power

GARDEN LIGHT

ACERO Series

GLA0 060 001 004 / GLA0 060 001 005 / GLA0 060 001 006



ITEM	SPECIFICATIONS		
Product Model	GLA0 060 001 004	GLA0 060 001 005	GLA0 060 001 006
Lumen	7200Lm	9600Lm	10800Lm
LED Power	60W	80W	90W
System Voltage	AC85-265V		
Frequency Range	50~60 Hz		
Working Temperature	-25°C to 65°C		
Material	Aluminium		
Lamp Size	598*578mm		
Luminous Efficiency	120Lm/W		
CRI	Ra80		
Color Temperature	3000K/6000K		
Warranty	3 years		



AC power

GARDEN LIGHT

ACERO Series

GLA0 060 001 007 / GLA0 060 001 008 / GLA0 060 001 009



ITEM	SPECIFICATIONS		
Product Model	GLA0 060 001 007	GLA0 060 001 008	GLA0 060 001 009
Lumen	12000Lm	14400Lm	18000Lm
LED Power	100W	120W	150W
System Voltage	AC85-265V		
Frequency Range	50~60 Hz		
Working Temperature	-25°C to 65°C		
Material	Aluminium		
Lamp Size	598*578mm		
Luminous Efficiency	120Lm/W		
CRI	Ra80		
Color Temperature	3000K/6000K		
Warranty	3 years		



AC power

GARDEN LIGHT

ARANCIO Series

GLA0 060 022 001 / GLA0 060 022 002 / GLA0 060 022 003



ITEM	SPECIFICATIONS		
Product Model	GLA0 060 022 001	GLA0 060 022 002	GLA0 060 022 003
Lumen	500Lm	700Lm	1000Lm
LED Power	5W	7W	10W
System Voltage	AC85-265V		
Frequency Range	50~60 Hz		
Working Temperature	-25°C to 65°C		
Material	Aluminium alloy		
Lamp Size	965*170*140mm		
Luminous Efficiency	100Lm/W		
CRI	Ra80		
Color Temperature	3500K/6000K		
Warranty	3 years		

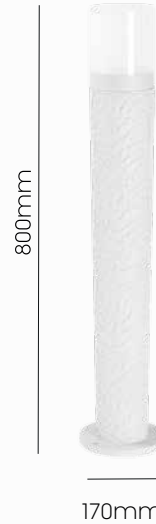


AC power

GARDEN LIGHT

CEDRO Series

GLA0 060 019 001 / GLA0 060 019 002 / GLA0 060 019 003



ITEM	SPECIFICATIONS		
Product Model	GLA0 060 019 001	GLA0 060 019 002	GLA0 060 019 003
Lumen	500Lm	700Lm	1000Lm
LED Power	5W	7W	10W
System Voltage	AC85-265V		
Frequency Range	50~60 Hz		
Working Temperature	-25°C to 65°C		
Material	Aluminium alloy		
Lamp Size	800*170mm		
Luminous Efficiency	100Lm/W		
CRI	Ra80		
Color Temperature	3500K/6000K		
Warranty	3 years		

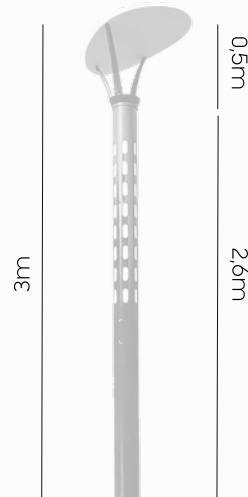


AC power

GARDEN LIGHT

CILIEGIO Series

GLA0 060 007 001 / GLA0 060 007 002 / GLA0 060 007 003 / GLA0 060 007 004



ITEM	SPECIFICATIONS			
Product Model	GLA0 060 007 001	GLA0 060 007 002	GLA0 060 007 003	GLA0 060 007 004
Lumen	6000/7500Lm	7200/9000Lm	8400/10500Lm	9600/12000Lm
LED Power	50W	60W	70W	80W
System Voltage	AC85-265V			
Frequency Range	50~60 Hz			
Working Temperature	-25°C to 65°C			
Material	Aluminium alloy			
Installation Height	3m			
Luminous Efficiency	120Lm/W - 150Lm/W			
CRI	Ra80			
Color Temperature	2700K/8000K			
Warranty	3 years			



AC power

GARDEN LIGHT

CIPRESSO Series

GLA0 060 005 001 / GLA0 060 005 002 / GLA0 060 005 003 / GLA0 060 005 004



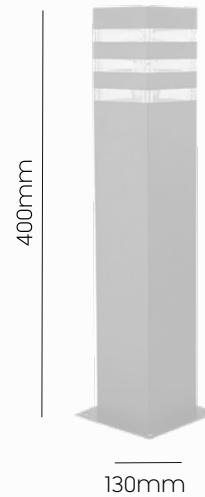
ITEM	SPECIFICATIONS			
Product Model	GLA0 060 005 001	GLA0 060 005 002	GLA0 060 005 003	GLA0 060 005 004
Lumen	2400/3100Lm	4800/6200Lm	6000/7750Lm	7200/9300Lm
LED Power	20W	40W	50W	60W
System Voltage	AC85-265V			
Frequency Range	50~60 Hz			
Working Temperature	-25°C to 65°C			
Material	Aluminium alloy			
Lamp Dimension	3/3,5/4m			
Luminous Efficiency	120Lm/W - 150Lm/W			
CRI	Ra80			
Color Temperature	2700K/8000K			
Warranty	3 years			



AC power

GARDEN LIGHT FRASSINO Series

GLA0 060 018 001 / GLA0 060 018 002 / GLA0 060 018 003 / GLA0 060 018 004



ITEM	SPECIFICATIONS			
Product Model	GLA0 060 018 001	GLA0 060 018 002	GLA0 060 018 003	GLA0 060 018 004
Lumen	500/600Lm	1000/1200Lm	1500/1800Lm	2000/2400Lm
LED Power	5W	10W	15W	20W
System Voltage	AC85-265V			
Frequency Range	50~60 Hz			
Working Temperature	-25°C to 65°C			
Material	Aluminium alloy			
Lamp Size	400*130*90mm			
Luminous Efficiency	110Lm/W - 120Lm/W			
CRI	Ra80			
Color Temperature	3500K/6000K			
Warranty	3 years			



AC power

GARDEN LIGHT

GELSO Series

GLA0 060 015 001 / GLA0 060 015 002 / GLA0 060 015 003 / GLA0 060 015 004



ITEM	SPECIFICATIONS			
Product Model	GLA0 060 015 001	GLA0 060 015 002	GLA0 060 015 003	GLA0 060 015 004
Lumen	500/600Lm	1000/1200Lm	1500/1800Lm	2000/2400Lm
LED Power	5W	10W	15W	20W
Lamp Size	300*130*76	400*130*76	600*130*76	600*160*114
System Voltage	AC85-265V			
Frequency Range	50~60 Hz			
Working Temperature	-25°C to 65°C			
Material	Aluminium alloy			
Luminous Efficiency	100Lm/W - 120Lm/W			
CRI	Ra80			
Color Temperature	3000K/6000K			
Warranty	3 years			



AC power

GARDEN LIGHT

GINEPRO Series

GLA0 060 016 001 / GLA0 060 016 002 / GLA0 060 016 003



ITEM	SPECIFICATIONS		
Product Model	GLA0 060 016 001	GLA0 060 016 002	GLA0 060 016 003
Lumen	2400Lm	3600Lm	4320Lm
LED Power	20W	30W	36W
Lamp Size	800*150mm	1500*150mm	2000*150mm
System Voltage	AC85-265V		
Frequency Range	50~60 Hz		
Working Temperature	-25°C to 65°C		
Material	Aluminium alloy		
Luminous Efficiency	120Lm/W		
CRI	Ra80		
Color Temperature	3500K/6000K		
Warranty	3 years		



AC power

GARDEN LIGHT MANDORLO Series

GLA0 060 008 001 / GLA0 060 008 002 / GLA0 060 008 003 / GLA0 060 008 004



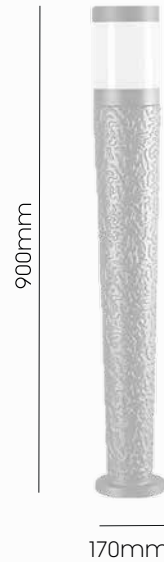
ITEM	SPECIFICATIONS			
Product Model	GLA0 060 008 001	GLA0 060 008 002	GLA0 060 008 003	GLA0 060 008 004
Lumen	2400/3200Lm	3600/4800Lm	4800/6400Lm	6000/8000Lm
LED Power	20W	30W	40W	60W
Lamp Dimension				
System Voltage	AC85-265V			
Frequency Range	50~60 Hz			
Working Temperature	-25°C to 65°C			
Material	Aluminium alloy			
Luminous Efficiency	120Lm/W - 150Lm/W			
CRI	Ra80			
Color Temperature	2700K/8000K			
Warranty	3 years			



AC power

GARDEN LIGHT MELOGRANO Series

GLA0 060 021 001 / GLA0 060 021 002 / GLA0 060 021 003



ITEM	SPECIFICATIONS		
Product Model	GLA0 060 021 001	GLA0 060 021 002	GLA0 060 021 003
Lumen	500Lm	700Lm	1000Lm
LED Power	5W	7W	10W
System Voltage	AC85-265V		
Frequency Range	50~60 Hz		
Working Temperature	-25°C to 65°C		
Material	Aluminium alloy		
Lamp Size	900*170mm		
Luminous Efficiency	100Lm/W		
CRI	Ra80		
Color Temperature	3500K/6000K		
Warranty	3 years		

GARDEN LIGHT

OLIVO Series

GLA0 060 009 001 / GLA0 060 009 002 / GLA0 060 009 003 / GLA0 060 009 004



ITEM	SPECIFICATIONS			
Product Model	GLA0 060 009 001	GLA0 060 009 002	GLA0 060 009 003	GLA0 060 009 004
Lumen	2400/3000Lm	4800/6000Lm	6000/7500Lm	7200/9000Lm
LED Power	20W	40W	50W	60W
Lamp Dimension	800*150mm	1500*150mm	2000*150mm	
System Voltage	AC85-265V			
Frequency Range	50~60 Hz			
Working Temperature	-25°C to 65°C			
Material	Aluminium alloy			
Luminous Efficiency	120Lm/W - 150Lm/W			
CRI	Ra80			
Color Temperature	2700K/8000K			
Warranty	3 years			



AC power

GARDEN LIGHT

OLMO Series

GLA0 060 002 001 / GLA0 060 002 002 / GLA0 060 002 003 / GLA0 060 002 004



ITEM	SPECIFICATIONS			
Product Model	GLA0 060 002 001	GLA0 060 002 002	GLA0 060 002 003	GLA0 060 002 004
Lumen	3300/5100Lm	4800/6800Lm	5500/8500Lm	6600/10200Lm
LED Power	30W	40W	50W	60W
System Voltage	AC85-265V			
Frequency Range	50~60 Hz			
Working Temperature	-25°C to 65°C			
Material	Aluminium			
Lamp Size	520*600mm			
Luminous Efficiency	110Lm/W - 170Lm/W			
CRI	Ra80			
Color Temperature	3000K/6000K			
Warranty	3 years			

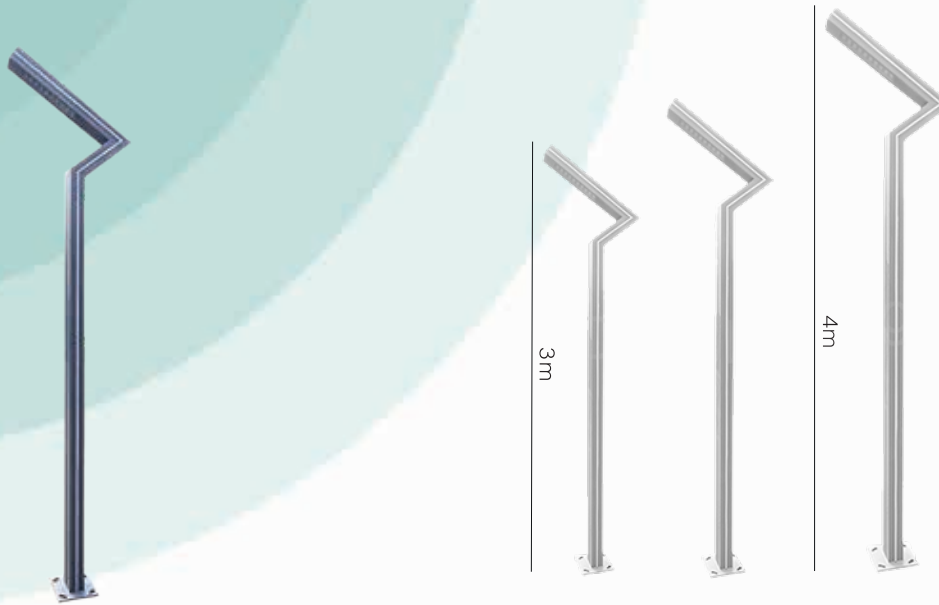


AC power

GARDEN LIGHT

PINO Series

GLA0 060 004 001 / GLA0 060 004 002 / GLA0 060 004 003 / GLA0 060 004 004



ITEM	SPECIFICATIONS			
Product Model	GLA0 060 004 001	GLA0 060 004 002	GLA0 060 004 003	GLA0 060 004 004
Lumen	2200/3000Lm	3300/4500Lm	5500/7500Lm	6600/9000Lm
LED Power	20W	30W	50W	60W
System Voltage	AC85-265V			
Frequency Range	50~60 Hz			
Working Temperature	-25°C to 65°C			
Material	Aluminium alloy			
Installation Height	3/3,5/4m			
Luminous Efficiency	110Lm/W - 150Lm/W			
CRI	Ra80			
Color Temperature	2700K/8000K			
Warranty	3 years			



AC power

GARDEN LIGHT

PIOPPO Series

GLA0 060 020 001 / GLA0 060 020 002 / GLA0 060 020 003 / GLA0 060 020 004



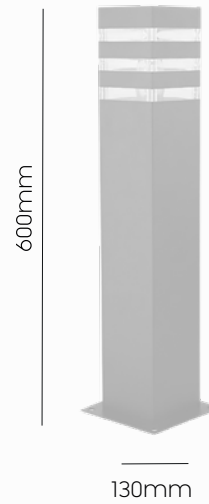
ITEM	SPECIFICATIONS			
Product Model	GLA0 060 020 001	GLA0 060 020 002	GLA0 060 020 003	GLA0 060 020 004
Lumen	500Lm	800Lm	1000Lm	1200Lm
LED Power	5W	8W	10W	12W
System Voltage	AC85-265V			
Frequency Range	50~60 Hz			
Working Temperature	-25°C to 65°C			
Material	Aluminium alloy			
Lamp Size	885*170mm			
Luminous Efficiency	100Lm/W			
CRI	Ra80			
Color Temperature	3500K/6000K			
Warranty	3 years			



AC power

GARDEN LIGHT SALICE Series

GLA0 060 017 001 / GLA0 060 017 002 / GLA0 060 017 003 / GLA0 060 017 004



ITEM	SPECIFICATIONS			
Product Model	GLA0 060 017 001	GLA0 060 017 002	GLA0 060 017 003	GLA0 060 017 004
Lumen	500/600Lm	1000/1200Lm	1500/1800Lm	2000/2400Lm
LED Power	5W	10W	15W	20W
System Voltage	AC85-265V			
Frequency Range	50~60 Hz			
Working Temperature	-25°C to 65°C			
Material	Aluminium alloy			
Lamp Size	600*130mm			
Luminous Efficiency	110Lm/W - 120Lm/W			
CRI	Ra80			
Color Temperature	3500K/6000K			
Warranty	3 years			

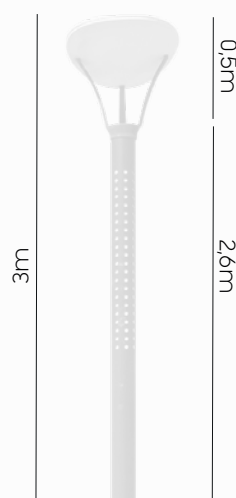


AC power

GARDEN LIGHT

TIGLIO Series

GLA0 060 006 001 / GLA0 060 006 002 / GLA0 060 006 003 / GLA0 060 006 004



ITEM	SPECIFICATIONS			
Product Model	GLA0 060 006 001	GLA0 060 006 002	GLA0 060 006 003	GLA0 060 006 004
Lumen	6000/7500Lm	7200/9000Lm	8400/10500Lm	9600/12000Lm
LED Power	50W	60W	70W	80W
System Voltage	AC85-265V			
Frequency Range	50~60 Hz			
Working Temperature	-25°C to 65°C			
Material	Aluminium alloy			
Installation Height	3m			
Luminous Efficiency	120Lm/W - 150Lm/W			
CRI	Ra80			
Color Temperature	2700K/8000K			
Warranty	3 years			



GARDEN LIGHT

ACACIA Series

GLS0 060 014 001 / GLS0 060 014 002 / GLS0 060 014 003 / GLS0 060 014 004



ITEM	SPECIFICATIONS			
Product Model	GLS0 060 014 001	GLS0 060 014 002	GLS0 060 014 003	GLS0 060 014 004
Lumen	770/1190Lm	1100/1700Lm	2200/3400Lm	3300/5100Lm
LED Power	20W	40W	50W	50W
Solar Panel	18V/15W	18V/28W	20W	20W
Lamp Size	440*480mm	440*480mm	712*560mm	712*560mm
Working Temperature	-20°C to 65° C			
Material	Aluminium alloy			
Luminous Efficiency	100Lm/W-170Lm/W			
CRI	Ra80			
Color Temperature	3500K/6000K			
Solar Panel	Monocrystalline silicon cell			
Battery Type	18650 Lithium battery			
Warranty	3 years			
Solar Charging Time	6-10 hours			
Rainy days	3 Rainy days			



GARDEN LIGHT

ALLORO Series

GLS0 060 013 001 / GLS0 060 013 002 / GLS0 060 013 003



ITEM	SPECIFICATIONS		
Product Model	GLS0 060 013 001	GLS0 060 013 002	GLS0 060 013 003
Lumen	2200Lm	4400Lm	5500Lm
LED Power	20W	40W	50W
Solar Panel	18V/15W	18V/28W	18V/45W
Working Temperature	-20°C to 65° C		
Material	Aluminium alloy		
Lamp Size	0,45*0,50*2950mm		
Luminous Efficiency	100Lm/W-170Lm/W		
CRI	Ra80		
Color Temperature	3500K/6000K		
Solar Panel	Monocrystalline silicon cell		
Battery Type	18650 Lithium battery		
Warranty	3 years		
Solar Charging Time	6-10 hours		
Rainy days	3 Rainy days		



GARDEN LIGHT

ALLORO Series

GLS0 060 013 004 / GLS0 060 013 005



ITEM	SPECIFICATIONS	
Product Model	GLS0 060 013 004	GLS0 060 013 005
Lumen	6600Lm	8800Lm
LED Power	60W	80W
Solar Panel	18V/60W	18V/80W
Working Temperature	-20°C to 65° C	
Material	Aluminium alloy	
Lamp Size	0,45*0,50*2950mm	
Luminous Efficiency	100Lm/W-170Lm/W	
CRI	Ra80	
Color Temperature	3500K/6000K	
Solar Panel	Monocrystalline silicon cell	
Battery Type	18650 Lithium battery	
Warranty	3 years	
Solar Charging Time	6-10 hours	
Rainy days	3 Rainy days	



GARDEN LIGHT

BETULLA Series

GLSO 011 028 001 / GLSO 011 028 002 / GLSO 011 028 003 / GLSO 011 028 004



ITEM	SPECIFICATIONS			
Product Model	GLSO 011 028 001	GLSO 011 028 002	GLSO 011 028 003	GLSO 011 028 004
Lamp Size	Ø260*380mm	Ø260*380mm wall mounted	Ø260*600mm	Ø260*900mm
Gross Weight	3,15kg	3,45kg	3,90kg	4,80kg
Fixture Material	PC+Aluminium Alloy			
Fixture Color	Grey/Black/Customized			
LED Source	SMD3030			
LED Power	1,5W			
Luminous Flux	>220Lm			
CCT	3000K/4000K/6000K			
CRI	>83			
Default Light Program	3*100%+4*50%+5*30%			
Motion Sensor Mode	30%+100%*30s			
Sensor Type	microwave sensor			
LifePO4 Battery	3,2V 12AH			
Battery Lifetime	>3000 cycles D.O.D : 70%			
Charge Controller	Direct charging			
Solar Panel	6,2W 5V MONO			
Working Temp.	-20°C ~ 60°C			
IP Rate	IP65			
Warranty	2 Years			



GARDEN LIGHT

BETULLA Series

GLSO 011 28R 001 / GLSO 011 28R 002 / GLSO 011 28R 003 / GLSO 011 28R 004



ITEM	SPECIFICATIONS			
Product Model	GLSO 011 28R 001	GLSO 011 28R 002	GLSO 011 28R 003	GLSO 011 28R 004
Lamp Size	Ø260*380mm	Ø260*380mm wall mounted	Ø260*600mm	Ø260*900mm
Gross Weight	3,15kg	3,45kg	3,90kg	4,80kg
Fixture Material	PC+Aluminium Alloy			
Fixture Color	Grey/Black/Customized			
LED Source	SMD3030			
LED Power	1,5W			
CCT	RGBCW Changeable			
Default Light Program	2*100%+2*50%+12*30%			
Working Time Options	4hours/8hours			
Remote Control	available			
LifePO4 Battery	3,2V 12AH			
Battery Lifetime	>3000 cycles D.O.D: 70%			
Remote Control	Direct charging			
Solar Panel	6,2W 5V MONO			
Working Temp.	-20°C~60°C			
IP Rate	IP65			
Warranty	2 Years			

OPTIONAL	SPECIFICATIONS
Remote control 2,4 G	GLSO 011 00R 001



GARDEN LIGHT CASTAGNO Series

GLS0 060 027 001 / GLS0 060 027 0012 / GLS0 060 027 003



ITEM	SPECIFICATIONS		
Product Model	GLS0 060 027 001	GLS0 060 027 002	GLS0 060 027 003
Lumen	200Lm	300Lm	500Lm
LED Power	2W	3W	5W
Solar panel	18V/15W	18V/28W	18V/45W
Detail Dimension	600x120mm	800x120mm	1000x120mm
Working Temperature	-20°C to 65° C		
Material	Aluminium alloy		
Luminous Efficiency	100Lm/W		
CRI	Ra80		
Color Temperature	3500K/6000K		
Solar Panel	Monocrystalline silicon cell		
Battery Type	Lithium battery		
Solar Charging Time	4/6 by bright sunlight		
Discharging Time	12h		
Warranty	3 years		



GARDEN LIGHT

FAGGIO Series

GLSO 011 030 001 / GLSO 011 030 002 / GLSO 011 030 003 / GLSO 011 030 004



ITEM	SPECIFICATIONS			
Product Model	GLSO 011 030 001	GLSO 011 030 002	GLSO 011 030 003	GLSO 011 030 004
Lamp Size	Ø255*380mm	Ø260*380mm wall mounted	Ø255*600mm	Ø255*900mm
Gross Weight	3,35kg	3,65kg	4,10kg	5,35kg
Battery Lifetime	>2000 cycles D.O.D: 70%	>3000 cycles D.O.D: 70%	>2000 cycles D.O.D: 70%	>2000 cycles D.O.D: 70%
Fixture Material	PC+Aluminium Alloy			
Fixture Color	Grey/Black/Customized			
LED Source	SMD3030			
LED Power	2,5W			
Luminous Flux	480Lm max			
CCT	3000K/4000K/6000K			
CRI	>83			
Default Light Program	3*100%+4*50%+5*30%			
Motion Sensor Mode	30%+100%*30s			
Sensor Type	microwave sensor			
LifePO4 Battery	3,2V 12AH			
Charge Controller	Direct charging			
Solar Panel	9,2W 5V MONO			
Working Temp.	-20°C ~ 60°C			
IP Rate	IP65			
Warranty	2 Years			



GARDEN LIGHT

FAGGIO Series

GLSO 011 30R 001 / GLSO 011 30R 002 / GLSO 011 30R 003 / GLSO 011 30R 004



ITEM	SPECIFICATIONS			
Product Model	GLSO 011 30R 001	GLSO 011 30R 002	GLSO 011 30R 003	GLSO 011 30R 004
Lamp Size	Ø255*380mm	Ø260*380mm wall mounted	Ø255*600mm	Ø255*900mm
Gross Weight	3,35kg	3,65kg	4,10kg	5,35kg
Fixture Material	PC+Aluminium Alloy			
Fixture Color	Grey/Black/Customized			
LED Source	SMD3030			
LED Power	2,5W			
CCT	RGBCW Changeable			
Default Light Program	2*100%+2*50%+12*30%			
Working Time Options	4hours/8hours			
Remote Control	available			
LifePO4 Battery	3,2V 12AH			
Battery Lifetime	>3000 cycles D.O.D: 70%			
Remote Control	Direct charging			
Solar Panel	9,2W 5V MONO			
Working Temp.	-20°C ~ 60°C			
IP Rate	IP65			
Warranty	2 Years			

OPTIONAL	SPECIFICATIONS
Remote control 2,4 G	GLSO 011 00R 001



SOLAR GARDEN LIGHT FERRARA Series

FERRARA Series is high quality solar garden light that passed CE, RoHS, FCC and other international certifications. Special RGB musical rhythm, high charging efficiency, strong endurance and outstanding light efficiency are the main features. FERRARA Series is equipped with a solar panel which can absorb solar energy, convert it into electric energy and recharge the installed lithium battery that provide the energy to the lamp.





GARDEN LIGHT FERRARA Series

FERRARA Series is high quality solar garden light that passed CE, RoHS, FCC and other international certifications. Special RGB musical rhythm, high charging efficiency, strong endurance and outstanding light efficiency are the main features. FERRARA Series is equipped with a solar panel which can absorb solar energy, convert it into electric energy and recharge the installed lithium battery that provide the energy to the lamp.

EASY INSTALLATION FERRARA Series has an integrated design of light source and solar panel which can be installed directly into the pole, thus eliminating the need of complicated installations. The casing tube adopts a detachable "moveable" design, which saves the product packaging volume by 40% and greatly reduces transportation cost.

THREE COLORS OF LIGHT SWITCH AT WILL, 360° LUMINOUS ANGLE FERRARA Series can be switched between white light, warm light and RGB according to specific preferences. It adopts a 360° optical design providing an uniform and soft lighting, which meets multiple requirements.

HIGH-EFFICIENCY FAST CHARGING SOLUTION, CHARGING EFFICIENCY IMPROVED BY 50% The solar controller simulates the MPPT charging scheme, a unique charging and discharging management system with an improved charging and discharging efficiency.

INTELLIGENT POWER MANAGEMENT SYSTEM, SUPER LONG DISCHARGE TIME FERRARA Series has an intelligent power management system with a higher charging efficiency. It can also identify the daily charging capacity, so as to adjust power automatically and achieve better lighting effect during rainy and cloudy days.



Lighting mode

POWER REDUCTION	MODES ON TIME					
	1h	2h	1h	1h	7h	30min
Always on mode	100-80%	80-60%	60-50%	50-40%	20%	40%



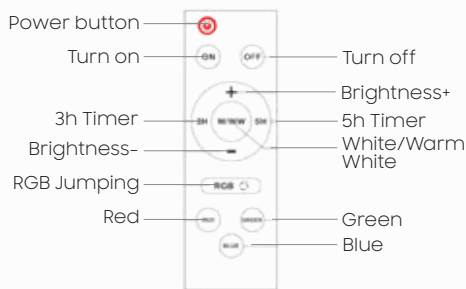
GARDEN LIGHT FERRARA Series

SLOPE DESIGN, PREVENTING THE BUILD-UP OF DUST AND ENSURING CHARGING EFFICIENCY AT ONCE FERRARA Series adopts an 8-degree slope design, which besides giving a touch of unique style, achieves a 15% higher charging efficiency with the inclined surface compared to the horizontal one. At the same time the slope design of the solar panel prevents the build-up of dust and allows the rainwater to be washed away, ensuring a higher power generation and an easier maintenance.

APP INTELLIGENT CONTROL, RGB MUSIC RHYTHM FUNCTION, WIDE APPLICATION SCENARIOS FERRARA Series comes with bluetooth function and intelligent control of LED through mobile APP. The SMD5054 led RGB light source matched with the product can move intelligently with the music of the mobile phone APP to enhance the lighting atmosphere.

INTELLIGENT EXTENDED FUNCTION, COMPATIBLE WITH OTHER BLUETOOTH DEVICES FERRARA Series can be connected to other bluetooth devices to achieve multiple interconnections. Luminaire changes color and mode intelligently according to the musical rhythm, which can be widely used for Christmas and other holiday decorations.

REMOTE CONTROL The remote control has memory function, only need to set once. The specific functions are illustrated in the following picture.



Note
1. You can only choose one function at a time on the controller.
2. The time function starts once you press 3h/5h/8h and can not be set manually.



Packing list

Model	Box size	Outer box size	Packing number	Gross weight	Net weight
GLS0 074 FER 001	60*15,5*59,5cm	61*33*61cm	2pcs	14,3Kg	11,7Kg
GLS0 074 FER 002	60*15,5*59,5cm	61*33*61cm	2pcs	14,3Kg	11,7Kg

SUPPORT POLE	SPECIFICATIONS	SPECIFICATIONS
GLS0 074 FEP 001	3 meters	OPTIONAL
GLS0 074 FEP 002	4 meters	OPTIONAL
GLS0 074 FEP 003	6 meters	OPTIONAL



GARDEN LIGHT

FERRARA Series

GLS0 074 FER 001

FERRARA Series is high quality solar garden light that passed CE, RoHS, FCC and other international certifications. Special RGB musical rhythm, high charging efficiency, strong endurance and outstanding light efficiency are the main features.



ITEM	SPECIFICATIONS
Product Model	GLS0 074 FER 001
Lamp Body Material	Die - casting aluminium+PC
Lamp Body Size	Ø580*248mm
Number of LED	186pcs SMD5730 (white, warm white), 36 pcs SMD5054 (RGB)
Battery Capacity	32mAh
Solar Panel	4V/30W (Polycrystalline)
CCT	4V/3500-4000K & 6500-7000K, RGB 16 million colors selectable
Charging Time	Effective sunshine 4-6 hours
Discharge Time	2-3 rainy days
Discharge Current	4.5A
Luminous Flux	2029Lm
Lighting Mode	White & Warm white switch, RGB 16million colors selectable
Product Features	Intelligent light control + Remote control + APP Bluetooth Music
Recommended Installation Height	3-5 meters

ACCESSORIES	SPECIFICATIONS
RGB - INCLUDED	musical rhythm
Remote control - INCLUDED	3 Brightness modes
Foundation Kit - INCLUDED	GL00 074 FEK 001



GARDEN LIGHT FERRARA Series GLS0 074 FER 002

FERRARA Series is high quality solar garden light that passed CE, RoHS, FCC and other international certifications. Special RGB musical rhythm, high charging efficiency, strong endurance and outstanding light efficiency are the main features.



ITEM	SPECIFICATIONS
Product Model	GLS0 074 FER 002
Lamp Body Material	Die - casting aluminium+PC
Lamp Body Size	Ø580*248mm
Number of LED	186 pcs SMD5730 (white,warm white), 36 pcs SMD5054 (RGB)
Battery Capacity	48mAh
Solar Panel	4V/40W (Monocrystalline)
CCT	4V/3500-4000K & 6500-7000K, RGB 16 million colors selectable
Charging Time	Effective sunshine 4-6 hours
Discharge Time	2-3 rainy days
Discharge Current	6A
Luminous Flux	2679Lm
Lighting Mode	White & Warm white switch, RGB 16million colors selectable
Product Features	Intelligent light control + Remote control + APP Bluetooth Music
Recommended Installation Height	4-6 meters

ACCESSORIES	SPECIFICATIONS
RGB - INCLUDED	musical rhythm
Remote control - INCLUDED	3 Brightness modes
Foundation Kit - INCLUDED	GL00 074 FEK 001



GARDEN LIGHT FERRARA Series

APP INTELLIGENT CONTROL, RGB MUSIC RHYTHM FUNCTION, WIDE APPLICATION SCENARIOS FERRARA Series comes with bluetooth function and intelligent control of LED through mobile APP. The SMD5054 led RGB light source matched with the product can move intelligently with the music of the mobile phone APP to enhance the lighting atmosphere.

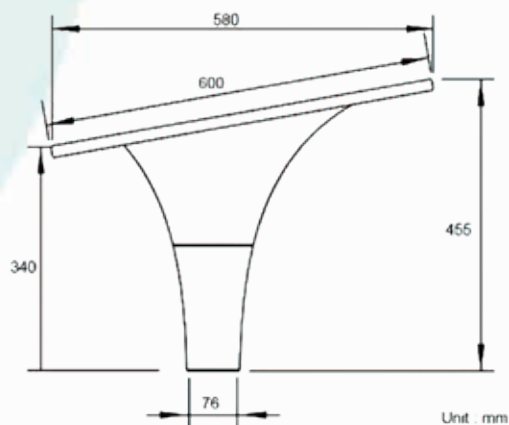




GARDEN LIGHT

GINKO Series

GLS0 011 031 001



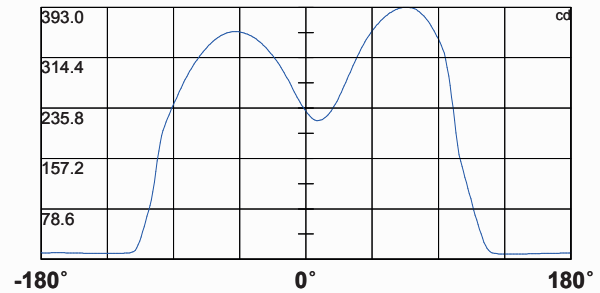
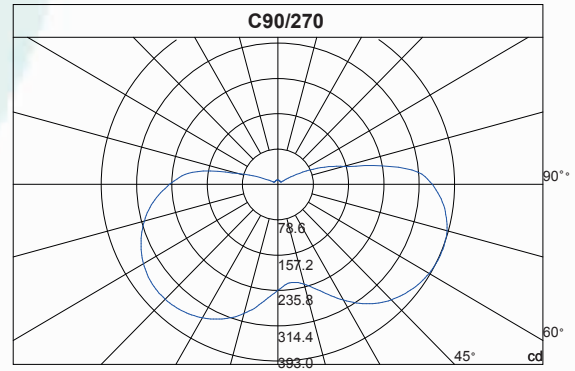
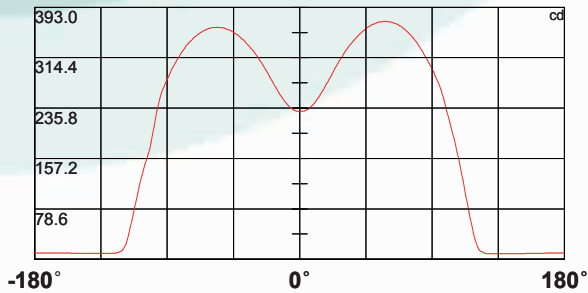
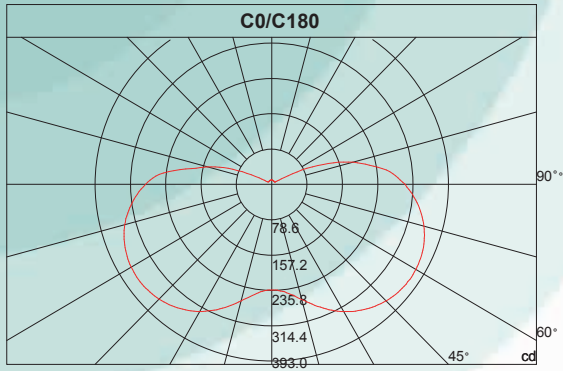
ITEM	SPECIFICATIONS
Product Model	GLS0 011 031 001
Lamp Size	Ø600*h435mm
Gross Weight	12,80kg
Fixture Material	Alu die casting + polycarbonate
Fixture Color	Silver/Black/Customized
LED Source	128pcs smd3030
LED Power	8W max
Luminous Flux	>2,800Lm
CCT	3000K+4000K or 3000K+6000K
CRI	>83
Default Light Program	4H 100%+4H 50%+5H 30%
Motion Sensor Mode	30%+100% triggered sensor
Sensor Type	microwave sensor
LifePO4 Battery	12,8V 154WH
Battery Lifetime	>3000 cycles D.O.D : 70%
Charge Controller	MPPT 97%
Solar Panel	42W 18V monocrystalline
Brightness Level	20-40-60-80-100%
Working Time Options	4hours/6hours/12hours
Working Temp.	-20°C~70°C
Remote Control	PIR 2,4G
Warranty	3 Years



GARDEN LIGHT

GINKO Series

GLS0 011 031 001



ITEM	SPECIFICATIONS
Product model	GLS0 011 031 001
Lumens	2677,42Lm
Efficiency	100%
Central Intensity	230,97cd
Maximun Intensity	393,01cd
Beam Angle	left-180,4 right 50,0
Angle of max intensity	C90,0 G69,0
Half Peak Side Angle	left-166,5 right33,0
Up Flux Rate	20,96%
Down Flux Rate	79,04%



GARDEN LIGHT

LARICE Series

GLSO 011 029 001 / GLSO 011 029 002 / GLSO 011 029 003 / GLSO 011 029 004



ITEM	SPECIFICATIONS			
Product Model	GLSO 011 029 001	GLSO 011 029 002	GLSO 011 029 003	GLSO 011 029 004
Lamp Size	255*380mm	260*380mm wall mounted	255*600mm	255*900mm
Gross Weight	2,70kg	3,00kg	3,50kg	4,35kg
Battery Lifetime	>2000 cycles D.O.D: 70%	>3000 cycles D.O.D: 70%	>2000 cycles D.O.D: 70%	>2000 cycles D.O.D: 70%
Fixture Material	PC+Aluminium Alloy			
Fixture Color	Grey/Black/Customized			
LED Source	SMD3030			
LED Power	1,5W			
Luminous Flux	>220Lm			
CCT	3000K/4000K/6000K			
CRI	>83			
Default Light Program	3*100%+4*50%+5*30%			
Motion Sensor Mode	30%+100%*30s			
Sensor Type	microwave sensor			
LifePO4 Battery	3,2V 12AH			
Charge Controller	Direct charging			
Solar Panel	6,2W 5V MONO			
Working Temp.	-20°C ~ 60°C			
IP Rate	IP65			
Warranty	2 Years			



GARDEN LIGHT

LARICE Series

GLSO 011 29R 001 / GLSO 011 29R 002 / GLSO 011 29R 003 / GLSO 011 29R 004



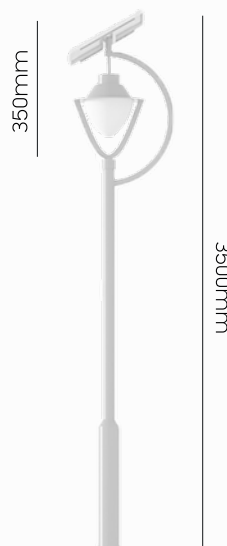
ITEM	SPECIFICATIONS			
Product Model	GLSO 011 29R 001	GLSO 011 29R 002	GLSO 011 29R 003	GLSO 011 29R 004
Lamp size	Ø255*380mm	Ø260*380mm wall mounted	Ø255*600mm	Ø255*900mm
Gross weight	2,70kg	3,00kg	3,50kg	4,35kg
Fixture Material	PC+Aluminium Alloy			
Fixture Color	Grey/Black/Customized			
LED Source	SMD3030			
LED Power	1,5W			
CCT	RGBCW Changeable			
Default Light Program	2*100%+2*50%+12*30%			
Working Time Options	4hours/8hours			
Remote Control	available			
LifePO4 Battery	3,2V 12AH			
Battery Lifetime	>3000 cycles D.O.D: 70%			
Charge Controller	Direct charging			
Solar Panel	6,2W 5V MONO			
Working Temp.	-20°C ~ 60°C			
IP Rate	IP65			
Warranty	2 Years			

OPTIONAL	SPECIFICATIONS
Remote control 2,4 G	GLSO 011 00R 001



GARDEN LIGHT MAGNOLIA Series

GLS0 060 011 001 / GLS0 060 011 002 / GLS0 060 011 003 / GLS0 060 011 004



ITEM	SPECIFICATIONS			
Product Model	GLS0 060 011 001	GLS0 060 011 002	GLS0 060 011 003	GLS0 060 011 004
Lumen	3300Lm	4400Lm	5500Lm	6600Lm
LED Power	30W	40W	50W	60W
Working Temperature	-20°C to 65° C			
Material	Aluminium alloy			
Lamp Size	350*3500*315mm			
Luminous Efficiency	100Lm/W-170Lm/W			
CRI	Ra80			
Color Temperature	3500K/6000K			
Solar Panel	Monocrystalline silicon cell			
Battery Type	18650 Lithium battery			
Warranty	3 years			
Solar Charging Time	6-10 hours			
Rainy days	3 Rainy days			



GARDEN LIGHT

MELO Series

GLS0 060 024 001 / GLS0 060 024 002 / GLS0 060 024 003

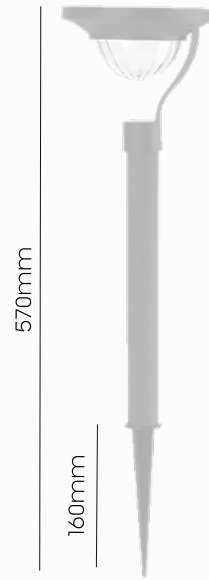


ITEM	SPECIFICATIONS		
Product model	GLS0 060 024 001	GLS0 060 024 002	GLS0 060 024 003
Lumen	200Lm	300Lm	500Lm
LED Power	2W	3W	5W
Solar Panel	18V/15W	18V/28W	18V/45W
Working Temperature	-20°C to 65° C		
Material	Aluminium alloy		
Lamp Size	800*260mm		
Luminous Efficiency	100Lm/W		
CRI	Ra80		
Color Temperature	3500K/6000K		
Solar Panel	Monocrystalline silicon cell		
Battery Type	Lithium battery		
Solar Charging Time	4/6 by bright sunlight		
Discharging Time	12 hours		
Warranty	3 years		



GARDEN LIGHT NOCCIOLO Series

GLS0 060 026 001 / GLS0 060 026 002 / GLS0 060 006 003



ITEM	SPECIFICATIONS		
Product model	GLS0 060 026 001	GLS0 060 026 002	GLS0 060 026 003
Lumen	200Lm	300Lm	500Lm
LED Power	2W	3W	5W
Solar Panel	18V/15W	18V/28W	18V/45W
Working Temperature	-20°C to 65° C		
Material	Aluminium alloy		
Lamp Size	570*150*160mm		
Luminous Efficiency	100Lm/W		
CRI	Ra80		
Color Temperature	3500K/6000K		
Solar Panel	Monocrystalline silicon cell		
Battery Type	Lithium battery		
Solar Charging Time	4/6 by bright sunlight		
Discharging Time	12h		
Warranty	3 years		



GARDEN LIGHT

NOCE Series

GLS0 060 023 001 / GLS0 060 023 002 / GLS0 060 023 003



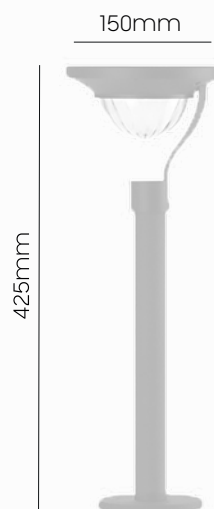
ITEM	SPECIFICATIONS		
Product model	GLS0 060 023 001	GLS0 060 023 002	GLS0 060 023 003
Lumen	200Lm	300Lm	500Lm
LED Power	2W	3W	5W
Solar Panel	18V/15W	18V/28W	18V/45W
Working Temperature	-20°C to 65° C		
Material	Aluminium alloy		
Lamp Size	380*260mm		
Luminous Efficiency	100Lm/W		
CRI	Ra80		
Color Temperature	3500K/6000K		
Solar Panel	Monocrystalline silicon cell		
Battery Type	Lithium battery		
Solar Charging Time	4/6 by bright sunlight		
Discharging Time	12 hours		
Warranty	3 years		



GARDEN LIGHT

OLEANDRO Series

GLS0 060 025 001 / GLS0 060 025 002 / GLS0 060 025 003



ITEM	SPECIFICATIONS		
Product model	GLS0 060 025 001	GLS0 060 025 002	GLS0 060 025 003
Lumen	200Lm	300Lm	500Lm
LED Power	2W	3W	5W
Solar Panel	18V/15W	18V/28W	18V/45W
Working Temperature	-20°C to 65° C		
Material	Aluminium alloy		
Lamp Size	425*150mm		
Luminous Efficiency	100Lm/W		
CRI	Ra80		
Color Temperature	3500K/6000K		
Solar Panel	Monocrystalline silicon cell		
Battery Type	Lithium battery		
Solar Charging Time	4/6 by bright sunlight		
Discharging Time	12 hours		
Warranty	3 years		



GARDEN LIGHT

PESCO Series

GLS0 060 012 001 / GLS0 060 012 002 / GLS0 060 012 003



ITEM	SPECIFICATIONS		
Product model	GLS0 060 012 001	GLS0 060 012 002	GLS0 060 012 003
Lumen	2200Lm	4400Lm	5500Lm
LED Power	20W	40W	50W
Solar Panel	18V/15W	18V/28W	18V/45W
Working Temperature	-20°C to 65° C		
Material	Aluminium alloy		
Lamp Size	0,45*0,50*2950mm		
Luminous Efficiency	100Lm/W-170Lm/W		
CRI	Ra80		
Color Temperature	3500K/6000K		
Solar Panel	Monocrystalline silicon cell		
Battery Type	18650 Lithium battery		
Warranty	3 years		
Solar Charging Time	6-10 hours		
Rainy days	3 Rainy days		



GARDEN LIGHT

PESCO Series

GLS0 060 012 004 / GLS0 060 012 005



ITEM	SPECIFICATIONS	
Product model	GLS0 060 012 004	GLS0 060 012 005
Lumen	6600Lm	8800Lm
LED Power	60W	80W
Solar Panel	18V/60W	18V/80W
Working Temperature	-20°C to 65° C	
Material	Aluminium alloy	
Lamp Size	0,45*0,50*2950mm	
Luminous Efficiency	100Lm/W-170Lm/W	
CRI	Ra80	
Color Temperature	3500K/6000K	
Solar Panel	Monocrystalline silicon cell	
Battery Type	18650 Lithium battery	
Warranty	3 years	
Solar Charging Time	6-10 hours	
Rainy days	3 Rainy days	



GARDEN LIGHT

QUERCIA Series

GLSO 060 010 001 / GLSO 060 010 002 / GLSO 060 010 003 / GLSO 060 010 004



ITEM	SPECIFICATIONS			
Product model	GLSO 060 010 001	GLSO 060 010 002	GLSO 060 010 003	GLSO 060 010 004
Lumen	6600/10200Lm	8800/13600Lm	13200/20400Lm	16500/25500Lm
LED Power	60W	80W	120W	150W
Lamp Size	510*226mm	510*226mm	712*560mm	712*560mm
Working Temperature	-20°C to 65° C			
Material	Aluminium alloy			
Luminous Efficiency	100Lm/W-170Lm/W			
CRI	Ra80			
Color Temperature	2700K/6000K			
Solar Panel	Monocrystalline silicon cell			
Battery Type	18650 Lithium battery			
Warranty	3 years			



www.enetra.it



ARISON Italia srl
Via Santissima Trinità 3 - 41121 Modena - Italy
info@arisonitalia.com