
Designed & Engineered in Italy

STREET LIGHT

grid

E010

CONTENT

STREET LIGHT PA - PUBLIC ADMINISTRATION

GRID Type

- **City 23 Series - S**
 - SLA0 060 C23 S01
 - SLA0 060 C23 S02
 - SLA0 060 C23 S03
 - SLA0 060 C23 S04
 - SLA0 060 C23 S05
 - SLA0 060 C23 S06
 - SLA0 060 C23 S07

- **City 23 Series - M**
 - SLA0 060 C23 M01
 - SLA0 060 C23 M02
 - SLA0 060 C23 M03
 - SLA0 060 C23 M04
 - SLA0 060 C23 M05
 - SLA0 060 C23 M06
 - SLA0 060 C23 M07

- **City 23 Series - L**
 - SLA0 060 C23 L01
 - SLA0 060 C23 L02
 - SLA0 060 C23 L03
 - SLA0 060 C23 L04
 - SLA0 060 C23 L05
 - SLA0 060 C23 L06
 - SLA0 060 C23 L07



AC power

STREET LIGHT - 20W
CITY23 Series - S
SLA0 060 C23 S01



MAIN FEATURES	SLA0 060 C23 S01
Product Description	Led street light
Model	SLA0 060 C23 S01
Peak Power	20W
ELECTRICAL PARAMETERS	SLA0 060 C23 S01
LED Driver	Inventronics
Working Voltage	AC100-277V
Frequency	50/60Hz
Power Factor	≥0.92C
Efficiency	>0.92
Dimming Function(VN)	5 steps Dimming (Virtual night setting)
Driver Surge Protection	6KV (grounded)
Surge Protection Device	Umax. 20KV (optional)
Twilight Function	Available
Driver IP Ranking	IP67
Electric Shock Safeguard	Class II
Driver Lifespan	>10000hrs @Ta 25°C
Ambient Temperature	-30°C/+50°C



AC power

STREET LIGHT - 20W

CITY23 Series - S

SLA0 060 C23 S01

OPTICAL PARAMETERS	SLA0 060 C23 S01
Light Source	LED
Module Qty	6
LED Brand	LUMILEDS
LED Model	LUXEON 5050
LED Chip Qty	36
Luminous Flux	3200lm
Luminous Efficiency	160lm/w
Beam Angle	146,83
Lens	DK-5050-146X83-TP-III-S-6HI-LUMILEDS5050
Light Distribution	TYPE III-S
Color Temperature	3000K-6500K
Color Rendering Index	>75
Led Lifespan	>10000hrs @Ta 25°C

PHYSICAL PARAMETERS	SLA0 060 C23 S01
Housing Material	Die-casting aluminium
Surface Treatment	Powder coating
Screen	Tempered glass
Lenses	High transparency PMMA
Maintainance Method	Tool free disassembly
Product Color	Customization available
Product size - Product Weight	575x224mm - 3.2Kgs
Mounting Stem	60mm
IP Rating	IP66
IK Rating	IK08
Warranty	5 years

PACKING INFO	SLA0 060 C23 S01
Packing Method	Carton
Carton Capacity	1pc/ctn
Carton Size	600x240x150mm
Pallet Loading Capacity	90pcs/pallet
Pallet Size	1200x1200mm

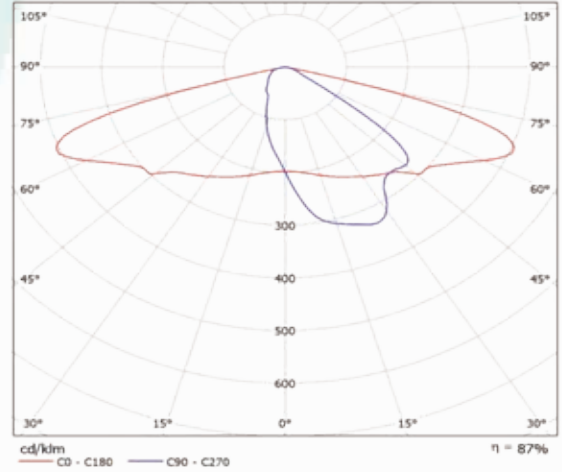


AC power

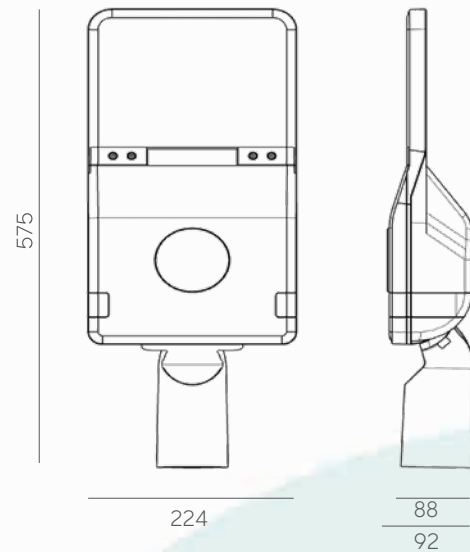
STREET LIGHT - 20W

CITY23 Series - S

SLA0 060 C23 S01



Luminous Intensity Distribution Curve





AC power

STREET LIGHT - 25W
CITY23 Series - S
SLA0 060 C23 S02



MAIN FEATURES	SLA0 060 C23 S02
Product Description	Led street light
Model	SLA0 060 C23 S02
Peak Power	25W
ELECTRICAL PARAMETERS	SLA0 060 C23 S02
LED Driver	Inventronics
Working Voltage	AC100-277V
Frequency	50/60Hz
Power Factor	≥0.92C
Efficiency	>0.92
Dimming Function(VN)	5 steps Dimming (Virtual night setting)
Driver Surge Protection	6KV (grounded)
Surge Protection Device	Umax. 20KV (optional)
Twilight Function	Available
Driver IP Ranking	IP67
Electric Shock Safeguard	Class II
Driver Lifespan	>10000hrs @Ta 25°C
Ambient Temperature	-30°C/+50°C



AC power

STREET LIGHT - 25W

CITY23 Series - S

SLA0 060 C23 S02

OPTICAL PARAMETERS	SLA0 060 C23 S02
Light Source	LED
Module Qty	6
LED Brand	LUMILEDS
LED Model	LUXEON 5050
LED Chip Qty	36
Luminous Flux	4000lm
Luminous Efficiency	160lm/w
Beam Angle	146,83
Lens	DK-5050-146X83-TP-III-S-6HI-LUMILEDS5050
Light Distribution	TYPE III-S
Color Temperature	3000K-6500K
Color Rendering Index	>75
Led Lifespan	>10000hrs @Ta 25°C

PHYSICAL PARAMETERS	SLA0 060 C23 S02
Housing Material	Die-casting aluminium
Surface Treatment	Powder coating
Screen	Tempered glass
Lenses	High transparency PMMA
Maintainance Method	Tool free disassembly
Product Color	Customization available
Product Size - Product Weight	575x224mm - 3.2Kgs
Mounting Stem	60mm
IP Rating	IP66
IK Rating	IK08
Warranty	5 years

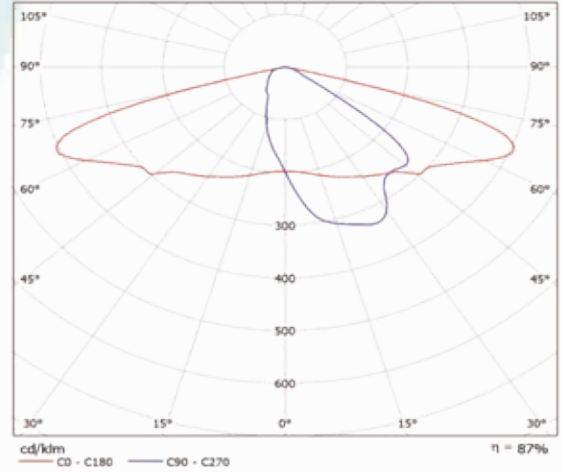
PACKING INFO	SLA0 060 C23 S02
Packing Method	Carton
Carton Capacity	1pc/ctn
Carton Size	600x240x150mm
Pallet loading Capacity	90pcs/pallet
Pallet Size	1200x1200mm



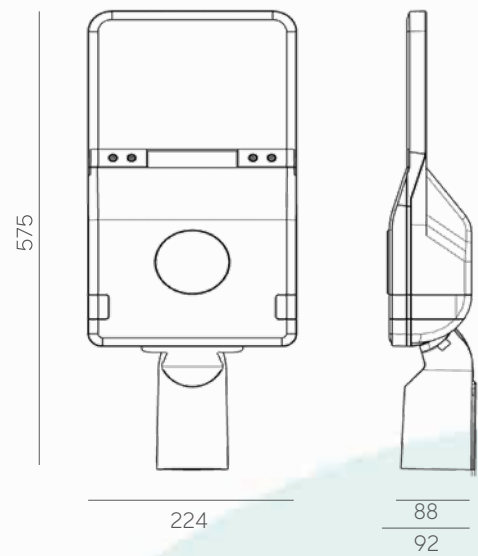
AC power

STREET LIGHT - 25W

CITY23 Series - S
SLA0 060 C23 S02



Luminous Intensity Distribution Curve





AC power

STREET LIGHT - 30W
CITY23 Series - S
SLA0 060 C23 S03



MAIN FEATURES	
Product Description	SLA0 060 C23 S03 Led street light
Model	SLA0 060 C23 S03
Peak Power	30W
ELECTRICAL PARAMETERS	
LED Driver	SLA0 060 C23 S03 Inventronics
Working Voltage	AC100-277V
Frequency	50/60Hz
Power Factor	≥0.92C
Efficiency	>0.92
Dimming Function(VN)	5 steps Dimming (Virtual night setting)
Driver Surge Protection	6KV (grounded)
Surge Protection Device	Umax. 20KV (optional)
Twilight Function	Available
Driver IP Ranking	IP67
Electric Shock Safeguard	Class II
Driver Lifespan	>10000hrs @Ta 25°C
Ambient Temperature	-30°C/+50°C



AC power

STREET LIGHT - 30W

CITY23 Series - S

SLA0 060 C23 S03

OPTICAL PARAMETERS	SLA0 060 C23 S03
Light Source	LED
Module Qty	6
LED Brand	LUMILEDS
LED Model	LUXEON 5050
LED Chip Qty	36
Luminous Flux	4800lm
Luminous Efficiency	160lm/w
Beam Angle	146,83
Lens	DK-5050-146X83-TP-III-S-6HI-LUMILEDS5050
Light Distribution	TYPE III-S
Color Temperature	3000K-6500K
Color Rendering Index	>75
Led Lifespan	>10000hrs @Ta 25°C

PHYSICAL PARAMETERS	SLA0 060 C23 S03
Housing Material	Die-casting aluminium
Surface Treatment	Powder coating
Screen	Tempered glass
Lenses	High transparency PMMA
Maintainance Method	Tool free disassembly
Product Color	Customization available
Product Size - Product Weight	575x224mm - 3.2Kgs
Mounting Stem	60mm
IP Rating	IP66
IK Rating	IK08
Warranty	5 years

PACKING INFO	SLA0 060 C23 S03
Packing Method	Carton
Carton Capacity	1pc/ctn
Carton Size	600x240x150mm
Pallet Loading Capacity	90pcs/pallet
Pallet Size	1200x1200mm

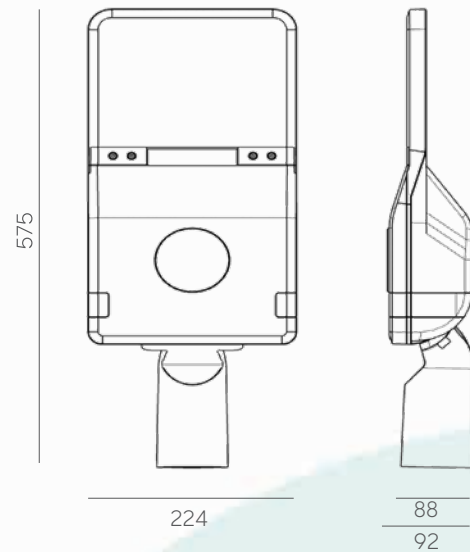
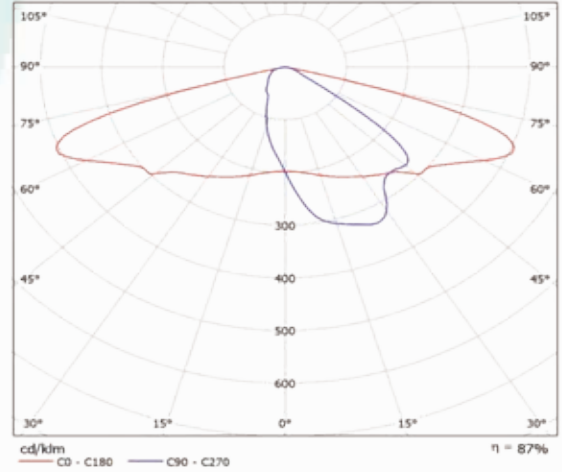


AC power

STREET LIGHT - 30W

CITY23 Series - S

SLA0 060 C23 S03





AC power

STREET LIGHT - 35W

CITY23 Series - S

SLA0 060 C23 S04



MAIN FEATURES	SLA0 060 C23 S04
Product Description	Led street light
Model	SLA0 060 C23 S04
Peak Power	35W
ELECTRICAL PARAMETERS	SLA0 060 C23 S04
LED Driver	Inventronics
Working Voltage	AC100-277V
Frequency	50/60Hz
Power Factor	≥0.92C
Efficiency	>0.92
Dimming Function(VN)	5 steps Dimming (Virtual night setting)
Driver Surge Protection	6KV (grounded)
Surge Protection Device	Umax. 20KV (optional)
Twilight Function	Available
Driver IP Ranking	IP67
Electric Shock Safeguard	Class II
Driver Lifespan	>10000hrs @Ta 25°C
Ambient Temperature	-30°C/+50°C



AC power

STREET LIGHT - 35W

CITY23 Series - S

SLA0 060 C23 S04

OPTICAL PARAMETERS	SLA0 060 C23 S04
Light Source	LED
Module Qty	6
LED Brand	LUMILEDS
LED Model	LUXEON 5050
LED Chip Qty	36
Luminous Flux	5600lm
Luminous Efficiency	160lm/w
Beam Angle	146,83
Lens	DK-5050-146X83-TP-III-S-6HI-LUMILEDS5050
Light Distribution	TYPE III-S
Color Temperature	3000K-6500K
Color Rendering Index	>75
Led Lifespan	>10000hrs @Ta 25°C

PHYSICAL PARAMETERS	SLA0 060 C23 S04
Housing Material	Die-casting aluminium
Surface Treatment	Powder coating
Screen	Tempered glass
Lenses	High transparency PMMA
Maintainance Method	Tool free disassembly
Product Color	Customization available
Product size - Product Weight	575x224mm - 3.2Kgs
Mounting Stem	60mm
IP Rating	IP66
IK Rating	IK08
Warranty	5 years

PACKING INFO	SLA0 060 C23 S04
Packing Method	Carton
Carton Capacity	1pc/ctn
Carton Size	600x240x150mm
Pallet Loading Capacity	90pcs/pallet
Pallet Size	1200x1200mm

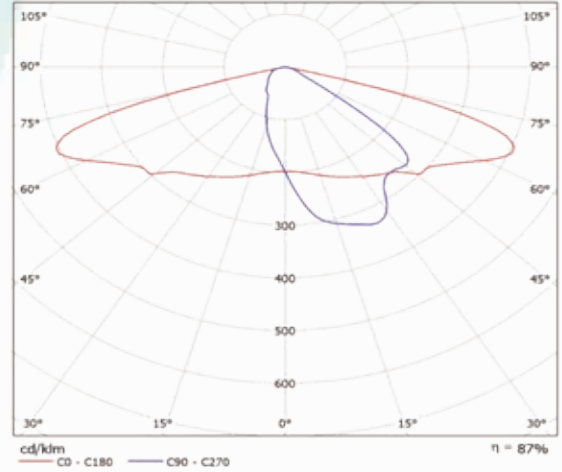


AC power

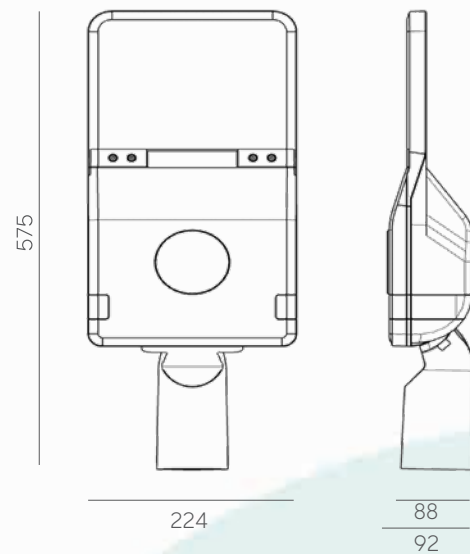
STREET LIGHT - 35W

CITY23 Series - S

SLA0 060 C23 S04



Luminous Intensity Distribution Curve





AC power

STREET LIGHT - 40W
CITY23 Series - S
SLA0 060 C23 S05



MAIN FEATURES	SLA0 060 C23 S05
Product Description	Led street light
Model	SLA0 060 C23 S05
Peak Power	40W
ELECTRICAL PARAMETERS	SLA0 060 C23 S05
LED Driver	Inventronics
Working Voltage	AC100-277V
Frequency	50/60Hz
Power Factor	≥0.92C
Efficiency	>0.92
Dimming Function(VN)	5 steps Dimming (Virtual night setting)
Driver Surge Protection	6KV (grounded)
Surge Protection Device	Umax. 20KV (optional)
Twilight Function	Available
Driver IP Ranking	IP67
Electric Shock Safeguard	Class II
Driver Lifespan	>10000hrs @Ta 25°C
Ambient Temperature	-30°C/+50°C



AC power

STREET LIGHT - 40W

CITY23 Series - S

SLA0 060 C23 S05

OPTICAL PARAMETERS	SLA0 060 C23 S05
Light Source	LED
Module Qty	6
LED Brand	LUMILEDS
LED Model	LUXEON 5050
LED Chip Qty	36
Luminous Flux	6400lm
Luminous Efficiency	160lm/w
Beam Angle	146,83
Lens	DK-5050-146X83-TP-III-S-6HI-LUMILEDS5050
Light Distribution	TYPE III-S
Color Temperature	3000K-6500K
Color Rendering Index	>75
Led Lifespan	>10000hrs @Ta 25°C

PHYSICAL PARAMETERS	SLA0 060 C23 S05
Housing Material	Die-casting aluminium
Surface Treatment	Powder coating
Screen	Tempered glass
Lenses	High transparency PMMA
Maintainance Method	Tool free disassembly
Product Color	Customization available
Product Size - Product Weight	575x224mm - 3.2Kgs
Mounting Stem	60mm
IP Rating	IP66
IK Rating	IK08
Warranty	5 years

PACKING INFO	SLA0 060 C23 S05
Packing Method	Carton
Carton Capacity	1pc/ctn
Carton Size	600x240x150mm
Pallet loading Capacity	90pcs/pallet
Pallet Size	1200x1200mm

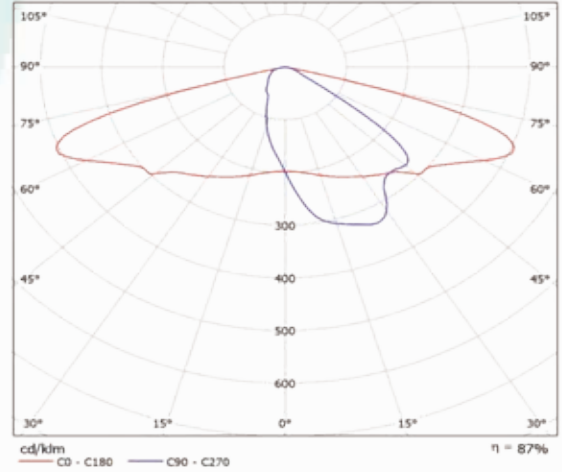


AC power

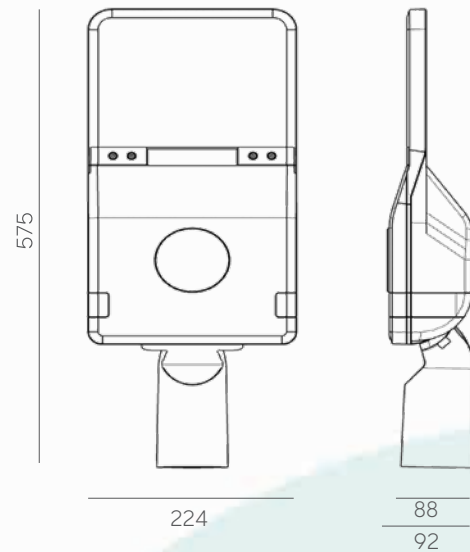
STREET LIGHT - 40W

CITY23 Series - S

SLA0 060 C23 S05



Luminous Intensity Distribution Curve





AC power

STREET LIGHT - 45W

CITY23 Series - S

SLA0 060 C23 S06



MAIN FEATURES	SLA0 060 C23 S06
Product Description	Led street light
Model	SLA0 060 C23 S06
Peak Power	45W
ELECTRICAL PARAMETERS	SLA0 060 C23 S06
LED Driver	Inventronics
Working Voltage	AC100-277V
Frequency	50/60Hz
Power Factor	≥0.92C
Efficiency	>0.92
Dimming Function(VN)	5 steps Dimming (Virtual night setting)
Driver Surge Protection	6KV (grounded)
Surge Protection Device	Umax. 20KV (optional)
Twilight Function	Available
Driver IP Ranking	IP67
Electric Shock Safeguard	Class II
Driver Lifespan	>10000hrs @Ta 25°C
Ambient Temperature	-30°C/+50°C



AC power

STREET LIGHT - 45W

CITY23 Series - S

SLA0 060 C23 S06

OPTICAL PARAMETERS	SLA0 060 C23 S06
Light Source	LED
Module Qty	6
LED Brand	LUMILEDS
LED Model	LUXEON 5050
LED Chip Qty	36
Luminous Flux	7200lm
Luminous Efficiency	160lm/w
Beam Angle	146,83
Lens	DK-5050-146X83-TP-III-S-6HI-LUMILEDS5050
Light Distribution	TYPE III-S
Color Temperature	3000K-6500K
Color Rendering Index	>75
Led Lifespan	>10000hrs @Ta 25°C

PHYSICAL PARAMETERS	SLA0 060 C23 S06
Housing Material	Die-casting aluminium
Surface Treatment	Powder coating
Screen	Tempered glass
Lenses	High transparency PMMA
Maintainance Method	Tool free disassembly
Product Color	Customization available
Product Size - Product Weight	575x224mm - 3.2Kgs
Mounting Stem	60mm
IP Rating	IP66
IK Rating	IK08
Warranty	5 years

PACKING INFO	SLA0 060 C23 S06
Packing Method	Carton
Carton Capacity	1pc/ctn
Carton Size	600x240x150mm
Pallet Loading Sapacity	90pcs/pallet
Pallet Size	1200x1200mm

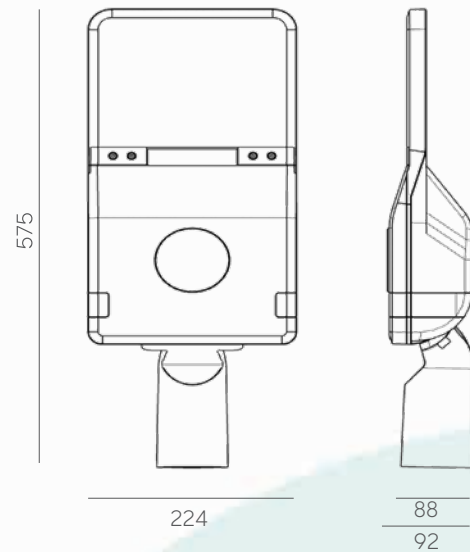
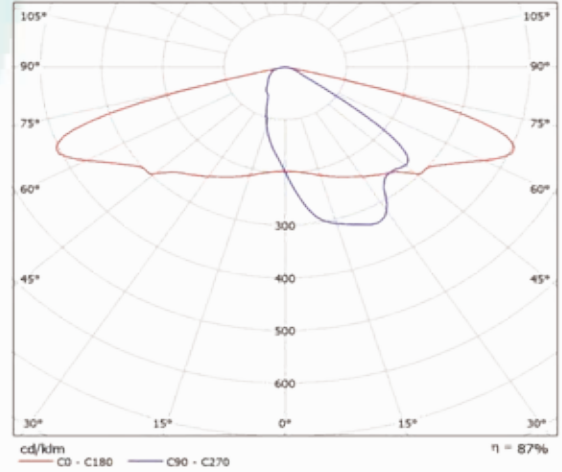


AC power

STREET LIGHT - 45W

CITY23 Series - S

SLA0 060 C23 S06





AC power

STREET LIGHT - 50W
CITY23 Series - S
SLA0 060 C23 S07



MAIN FEATURES	SLA0 060 C23 S07
Product Description	Led street light
Model	SLA0 060 C23 S07
Peak Power	50W
ELECTRICAL PARAMETERS	SLA0 060 C23 S07
LED Driver	Inventronics
Working Voltage	AC100-277V
Frequency	50/60Hz
Power Factor	≥0.92C
Efficiency	>0.92
Dimming Function(VN)	5 steps Dimming (Virtual night setting)
Driver Surge Protection	6KV (grounded)
Surge Protection Device	Umax. 20KV (optional)
Twilight Function	Available
Driver IP Ranking	IP67
Electric Shock Safeguard	Class II
Driver Lifespan	>10000hrs @Ta 25°C
Ambient Temperature	-30°C/+50°C



AC power

STREET LIGHT - 50W

CITY23 Series - S

SLA0 060 C23 S07

OPTICAL PARAMETERS	SLA0 060 C23 S07
Light Source	LED
Module Qty	6
LED Brand	LUMILEDS
LED Model	LUXEON 5050
LED Chip Qty	36
Luminous Flux	8000lm
Luminous Efficiency	160lm/w
Beam Angle	146,83
Lens	DK-5050-146X83-TP-III-S-6HI-LUMILEDS5050
Light Distribution	TYPE III-S
Color Temperature	3000K-6500K
Color Rendering Index	>75
Led Lifespan	>10000hrs @Ta 25°C

PHYSICAL PARAMETERS	SLA0 060 C23 S07
Housing Material	Die-casting aluminium
Surface Treatment	Powder coating
Screen	Tempered glass
Lenses	High transparency PMMA
Maintainance Method	Tool free disassembly
Product Color	Customization available
Product Size - Product Weight	575x224mm - 3.2Kgs
Mounting Stem	60mm
IP Rating	IP66
IK Rating	IK08
Warranty	5 years

PACKING INFO	SLA0 060 C23 S07
Packing Method	Carton
Carton Capacity	1pc/ctn
Carton size	600x240x150mm
Pallet Loading Capacity	90pcs/pallet
Pallet Size	1200x1200mm

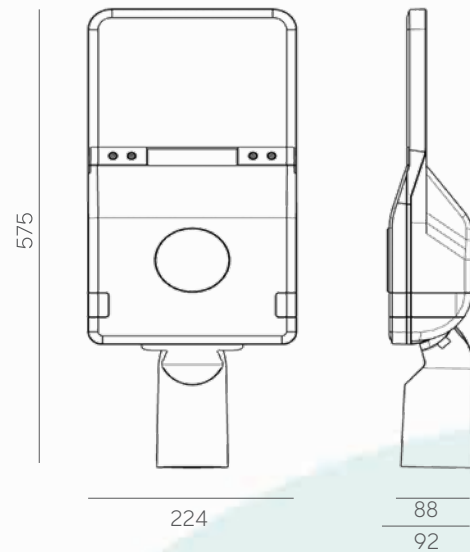
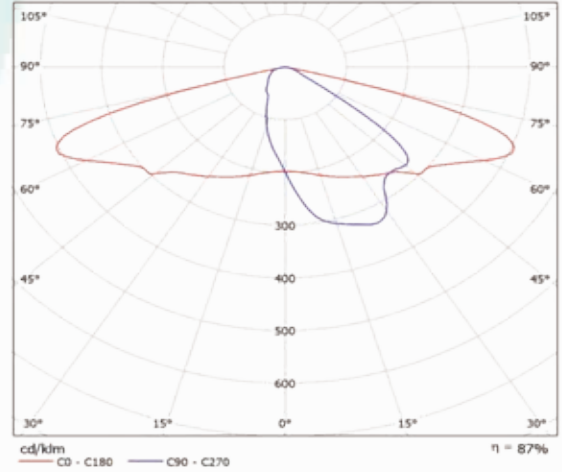


AC power

STREET LIGHT - 50W

CITY23 Series - S

SLA0 060 C23 S07





AC power

STREET LIGHT - 50W

CITY23 Series - M

SLA0 060 C23 M01



MAIN FEATURES	SLA0 060 C23 M01
Product description	Led street light
Model	SLA0 060 C23 M01
Peak Power	50W
ELECTRICAL PARAMETERS	SLA0 060 C23 M01
LED Driver	Inventronics
Working Voltage	AC100-277V
Frequency	50/60Hz
Power Factor	≥0.92C
Efficiency	>0.92
Dimming Function(VN)	5 steps Dimming (Virtual night setting)
Driver Surge Protection	6KV (grounded)
Surge Protection Device	Umax. 20KV (optional)
Twilight Function	Available
Driver IP Ranking	IP67
Electric Shock Safeguard	Class II
Driver Lifespan	>10000hrs @Ta 25°C
Ambient Temperature	-30°C/+50°C



AC power

STREET LIGHT - 50W

CITY23 Series - M

SLA0 060 C23 M01

OPTICAL PARAMETERS	SLA0 060 C23 M01
Light Source	LED
Module Qty	9
LED Brand	LUMILEDS
LED Model	LUXEON 5050
LED Chip Qty	54
Luminous Flux	8000lm
Luminous Efficiency	160lm/w
Beam Angle	146,83
Lens	DK-5050-146X83-TP-III-S-6HI-LUMILEDS5050
Light Distribution	TYPE III-S
Color Temperature	3000K-6500K
Color Rendering Index	>75
Led Lifespan	>10000hrs @Ta 25°C

PHYSICAL PARAMETERS	SLA0 060 C23 M01
Housing Material	Die-casting aluminium
Surface Treatment	Powder coating
Screen	Tempered glass
Lenses	High transparency PMMA
Maintainance Method	Tool free disassembly
Product Color	Customization available
Product size - Product Weight	675x240mm - 4.2Kgs
Mounting Stem	60mm
IP Rating	IP66
IK Rating	IK08
Warranty	5 years

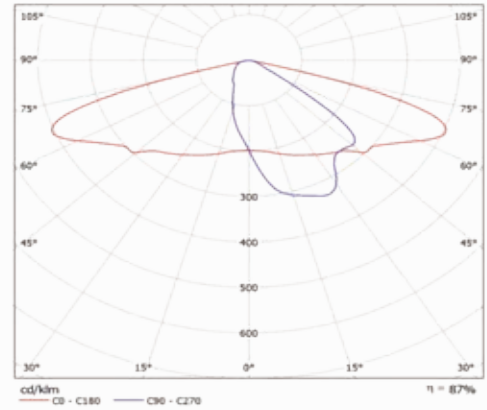
PACKING INFO	SLA0 060 C23 M01
Packing Method	Carton
Carton Capacity	1pc/ctn
Carton Size	650x250x150mm
Pallet loading Capacity	60pcs/pallet
Pallet Size	1200x1200mm



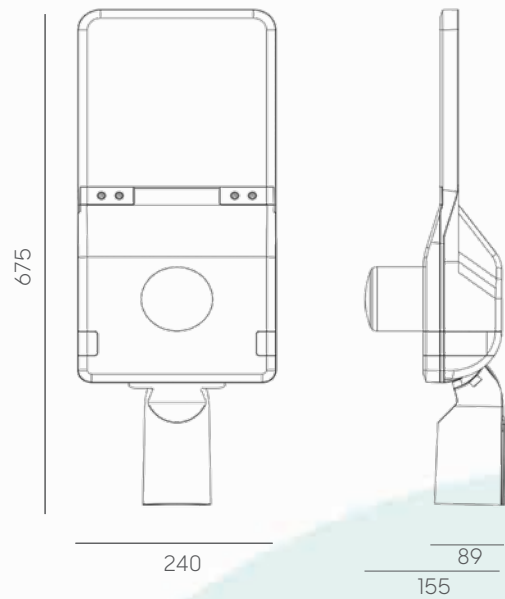
AC power

STREET LIGHT - 50W

CITY23 Series - M
SLA0 060 C23 M01



Luminous Intensity Distribution Curve





AC power

STREET LIGHT - 55W
CITY23 Series - M
SLA0 060 C23 M02



MAIN FEATURES	
Product Description	SLA0 060 C23 M02 Led street light
Model	SLA0 060 C23 M02
Peak Power	55W
ELECTRICAL PARAMETERS	
LED Driver	SLA0 060 C23 M02 Inventronics
Working Voltage	AC100-277V
Frequency	50/60Hz
Power Factor	≥0.92C
Efficiency	>0.92
Dimming Function(VN)	5 steps Dimming (Virtual night setting)
Driver Surge Protection	6KV (grounded)
Surge Protection Device	Umax. 20KV (optional)
Twilight Function	Available
Driver IP Ranking	IP67
Electric Shock Safeguard	Class II
Driver Lifespan	>10000hrs @Ta 25°C
Ambient Temperature	-30°C/+50°C



AC power

STREET LIGHT - 55W

CITY23 Series - M

SLA0 060 C23 M02

OPTICAL PARAMETERS	SLA0 060 C23 M02
Light Source	LED
Module Qty	9
LED Brand	LUMILEDS
LED Model	LUXEON 5050
LED Chip Qty	54
Luminous Flux	8800lm
Luminous Efficiency	160lm/w
Beam Angle	146,83
Lens	DK-5050-146X83-TP-III-S-6HI-LUMILEDS5050
Light Distribution	TYPE III-S
Color Temperature	3000K-6500K
Color Rendering Index	>75
Led Lifespan	>10000hrs @Ta 25°C

PHYSICAL PARAMETERS	SLA0 060 C23 M02
Housing Material	Die-casting aluminium
Surface Treatment	Powder coating
Screen	Tempered glass
Lenses	High transparency PMMA
Maintainance Method	Tool free disassembly
Product Color	Customization available
Product size - Product Weight	675x240mm - 4.2Kgs
Mounting Stem	60mm
IP Rating	IP66
IK Rating	IK08
Warranty	5 years

PACKING INFO	SLA0 060 C23 M02
Packing method	Carton
Carton capacity	1pc/ctn
Carton size	650x250x150mm
Pallet loading capacity	60pcs/pallet
Pallet size	1200x1200mm

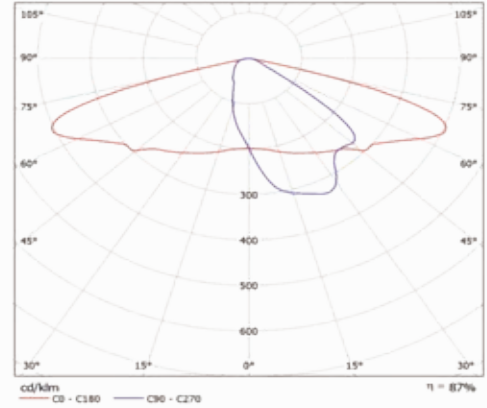


AC power

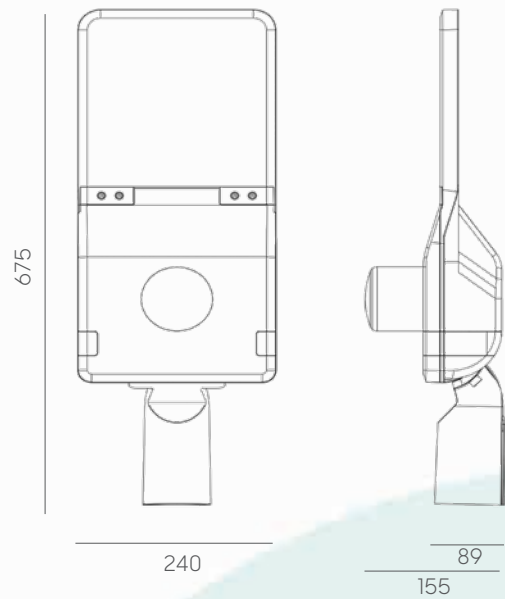
STREET LIGHT - 55W

CITY23 Series - M

SLA0 060 C23 M02



Luminous Intensity Distribution Curve





AC power

STREET LIGHT - 60W

CITY23 Series - M

SLA0 060 C23 M03



MAIN FEATURES	
Product Description	SLA0 060 C23 M03 Led street light
Model	SLA0 060 C23 M03
Peak Power	60W
ELECTRICAL PARAMETERS	
LED Driver	SLA0 060 C23 M03 Inventronics
Working Voltage	AC100-277V
Frequency	50/60Hz
Power Factor	≥0.92C
Efficiency	>0.92
Dimming Function(VN)	5 steps Dimming (Virtual night setting)
Driver Surge Protection	6KV (grounded)
Surge Protection Device	Umax. 20KV (optional)
Twilight Function	Available
Driver IP Ranking	IP67
Electric Shock Safeguard	Class II
Driver Lifespan	>10000hrs @Ta 25°C
Ambient Temperature	-30°C/+50°C



AC power

STREET LIGHT - 60W

CITY23 Series - M

SLA0 060 C23 M03

OPTICAL PARAMETERS	SLA0 060 C23 M03
Light Source	LED
Module Qty	9
LED Brand	LUMILEDS
LED Model	LUXEON 5050
LED Chip Qty	54
Luminous Flux	9600lm
Luminous Efficiency	160lm/w
Beam Angle	146,83
Lens	DK-5050-146X83-TP-III-S-6HI-LUMILEDS5050
Light Distribution	TYPE III-S
Color Temperature	3000K-6500K
Color Rendering Index	>75
Led Lifespan	>10000hrs @Ta 25°C

PHYSICAL PARAMETERS	SLA0 060 C23 M03
Housing Material	Die-casting aluminium
Surface Treatment	Powder coating
Screen	Tempered glass
Lenses	High transparency PMMA
Maintainance Method	Tool free disassembly
Product Color	Customization available
Product size - Product Weight	675x240mm - 4.2Kgs
Mounting Stem	60mm
IP Rating	IP66
IK Rating	IK08
Warranty	5 years

PACKING INFO	SLA0 060 C23 M03
Packing Method	Carton
Carton Capacity	1pc/ctn
Carton Size	650x250x150mm
Pallet Loading Capacity	60pcs/pallet
Pallet Size	1200x1200mm

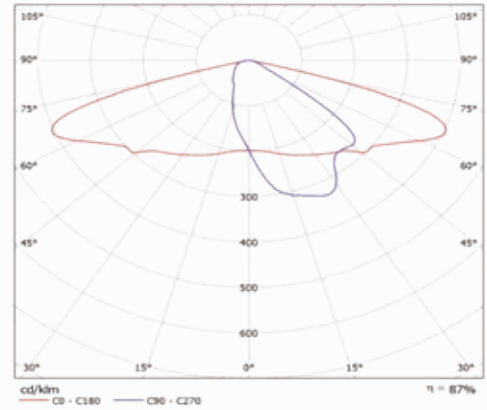


AC power

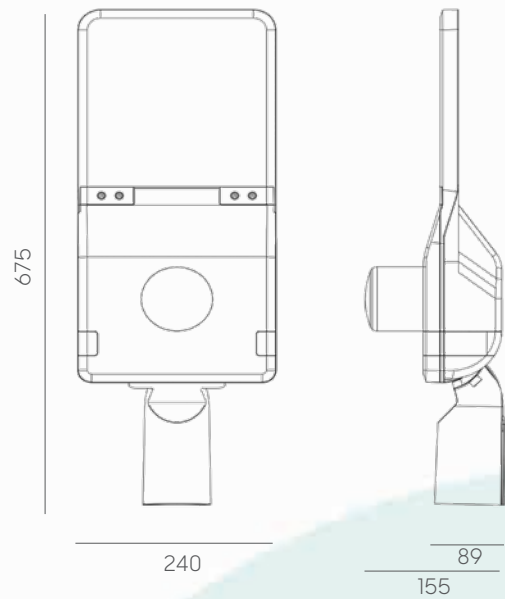
STREET LIGHT - 60W

CITY23 Series - M

SLA0 060 C23 M03



Luminous Intensity Distribution Curve





AC power

STREET LIGHT - 65W

CITY23 Series - M

SLA0 060 C23 M04



MAIN FEATURES	
Product Description	SLA0 060 C23 M04 Led street light
Model	SLA0 060 C23 M04
Peak Power	65W
ELECTRICAL PARAMETERS	
LED Driver	SLA0 060 C23 M04 Inventronics
Working Voltage	AC100-277V
Frequency	50/60Hz
Power Factor	≥0.92C
Efficiency	>0.92
Dimming Function(VN)	5 steps Dimming (Virtual night setting)
Driver Surge Protection	6KV (grounded)
Surge Protection Device	Umax. 20KV (optional)
Twilight Function	Available
Driver IP Ranking	IP67
Electric Shock Safeguard	Class II
Driver Lifespan	>10000hrs @Ta 25°C
Ambient Temperature	-30°C/+50°C



AC power

STREET LIGHT - 65W

CITY23 Series - M

SLA0 060 C23 M04

OPTICAL PARAMETERS	SLA0 060 C23 M04
Light Source	LED
Module Qty	9
LED Brand	LUMILEDS
LED Model	LUXEON 5050
LED Chip qty	54
Luminous Flux	10400lm
Luminous Efficiency	160lm/w
Beam Angle	146,83
Lens	DK-5050-146X83-TP-III-S-6HI-LUMILEDS5050
Light Distribution	TYPE III-S
Color Temperature	3000K-6500K
Color Rendering Index	>75
Led Lifespan	>10000hrs @Ta 25°C

PHYSICAL PARAMETERS	SLA0 060 C23 M04
Housing Material	Die-casting aluminium
Surface Treatment	Powder coating
Screen	Tempered glass
Lenses	High transparency PMMA
Maintainance Method	Tool free disassembly
Product Color	Customization available
Product size - Product Weight	675x240mm - 4.2Kgs
Mounting Stem	60mm
IP Rating	IP66
IK Rating	IK08
Warranty	5 years

PACKING INFO	SLA0 060 C23 M04
Packing Method	Carton
Carton Capacity	1pc/ctn
Carton Size	650x250x150mm
Pallet Loading Capacity	60pcs/pallet
Pallet Size	1200x1200mm

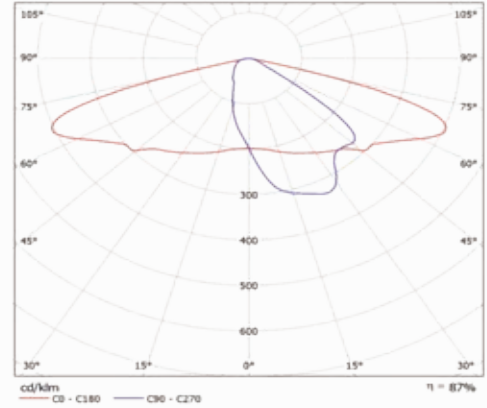


AC power

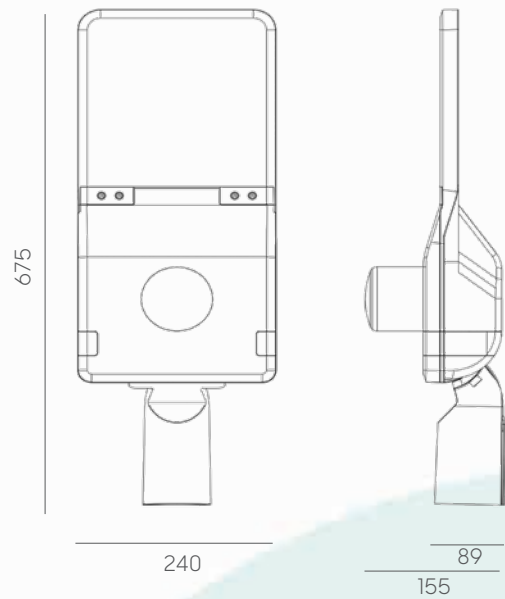
STREET LIGHT - 65W

CITY23 Series - M

SLA0 060 C23 M04



Luminous Intensity Distribution Curve





AC power

STREET LIGHT - 70W

CITY23 Series - M

SLA0 060 C23 M05



MAIN FEATURES	
Product Description	SLA0 060 C23 M05 Led street light
Model	SLA0 060 C23 M05
Peak Power	70W
ELECTRICAL PARAMETERS	
LED Driver	SLA0 060 C23 M05 Inventronics
Working Voltage	AC100-277V
Frequency	50/60Hz
Power Factor	≥0.92C
Efficiency	>0.92
Dimming Function(VN)	5 steps Dimming (Virtual night setting)
Driver Surge Protection	6KV (grounded)
Surge Protection Device	Umax. 20KV (optional)
Twilight Function	Available
Driver IP Ranking	IP67
Electric Shock Safeguard	Class II
Driver Lifespan	>10000hrs @Ta 25°C
Ambient Temperature	-30°C/+50°C



AC power

STREET LIGHT - 70W

CITY23 Series - M

SLA0 060 C23 M05

OPTICAL PARAMETERS	SLA0 060 C23 M05
Light Source	LED
Module Qty	9
LED Brand	LUMILEDS
LED Model	LUXEON 5050
LED Chip Qty	54
Luminous Flux	11200lm
Luminous Efficiency	160lm/w
Beam Angle	146,83
Lens	DK-5050-146X83-TP-III-S-6HI-LUMILEDS5050
Light Distribution	TYPE III-S
Color Temperature	3000K-6500K
Color Rendering Index	>75
Led Lifespan	>10000hrs @Ta 25°C

PHYSICAL PARAMETERS	SLA0 060 C23 M05
Housing Material	Die-casting aluminium
Surface Treatment	Powder coating
Screen	Tempered glass
Lenses	High transparency PMMA
Maintainance Method	Tool free disassembly
Product Color	Customization available
Product size - Product Weight	675x240mm - 4.2Kgs
Mounting Stem	60mm
IP Rating	IP66
IK Rating	IK08
Warranty	5 years

PACKING INFO	SLA0 060 C23 M05
Packing Method	Carton
Carton Capacity	1pc/ctn
Carton Size	650x250x150mm
Pallet Loading Capacity	60pcs/pallet
Pallet Size	1200x1200mm

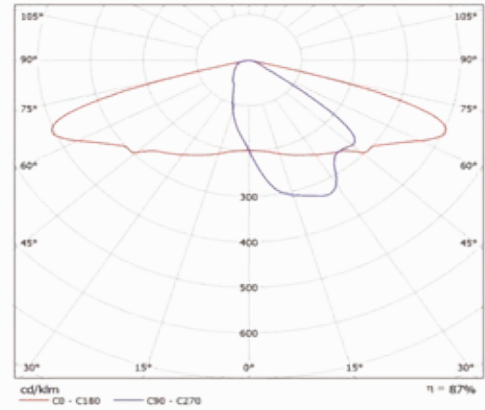


AC power

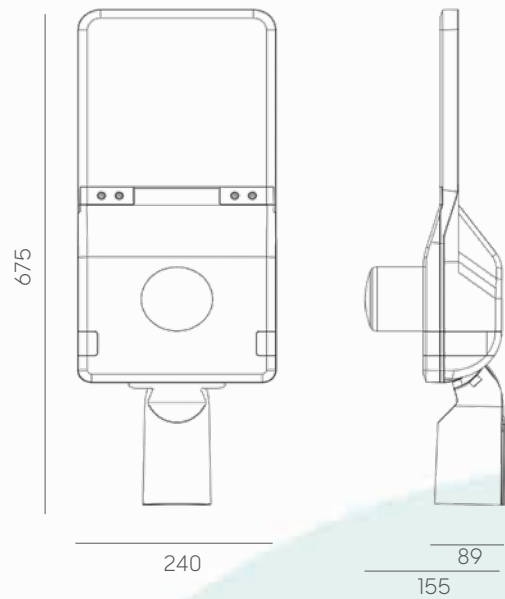
STREET LIGHT - 70W

CITY23 Series - M

SLA0 060 C23 M05



Luminous Intensity Distribution Curve





AC power

STREET LIGHT - 75W
CITY23 Series - M
SLA0 060 C23 M06



MAIN FEATURES	
Product Description	SLA0 060 C23 M06 Led street light
Model	SLA0 060 C23 M06
Peak Power	75W
ELECTRICAL PARAMETERS	
LED Driver	SLA0 060 C23 M06 Inventronics
Working Voltage	AC100-277V
Frequency	50/60Hz
Power Factor	≥0.92C
Efficiency	>0.92
Dimming Function(VN)	5 steps Dimming (Virtual night setting)
Driver Surge Protection	6KV (grounded)
Surge Protection Device	Umax. 20KV (optional)
Twilight Function	Available
Driver IP Ranking	IP67
Electric Shock Safeguard	Class II
Driver Lifespan	>10000hrs @Ta 25°C
Ambient Temperature	-30°C/+50°C



AC power

STREET LIGHT - 75W

CITY23 Series - M

SLA0 060 C23 M06

OPTICAL PARAMETERS	SLA0 060 C23 M06
Light Source	LED
Module Qty	9
LED Brand	LUMILEDS
LED Model	LUXEON 5050
LED Chip Qty	54
Luminous Flux	12000lm
Luminous Efficiency	160lm/w
Beam Angle	146,83
Lens	DK-5050-146X83-TP-III-S-6HI-LUMILEDS5050
Light Distribution	TYPE III-S
Color Temperature	3000K-6500K
Color Rendering Index	>75
Led Lifespan	>10000hrs @Ta 25°C

PHYSICAL PARAMETERS	SLA0 060 C23 M06
Housing Material	Die-casting aluminium
Surface Treatment	Powder coating
Screen	Tempered glass
Lenses	High transparency PMMA
Maintainance Method	Tool free disassembly
Product Color	Customization available
Product Size - Product Weight	675x240mm - 4.2Kgs
Mounting Stem	60mm
IP Rating	IP66
IK Rating	IK08
Warranty	5 years

PACKING INFO	SLA0 060 C23 M06
Packing Method	Carton
Carton Capacity	1pc/ctn
Carton Size	650x250x150mm
Pallet Loading Capacity	60pcs/pallet
Pallet Size	1200x1200mm

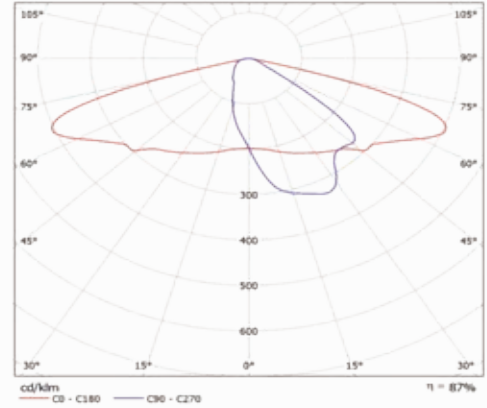


AC power

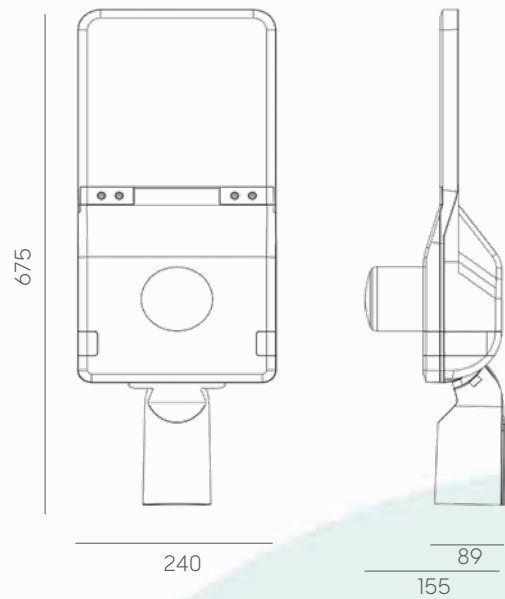
STREET LIGHT - 75W

CITY23 Series - M

SLA0 060 C23 M06



Luminous Intensity Distribution Curve





AC power

STREET LIGHT - 80W

CITY23 Series - M

SLA0 060 C23 M07



MAIN FEATURES	
Product Description	SLA0 060 C23 M07 Led street light
Model	SLA0 060 C23 M07
Peak Power	80W
ELECTRICAL PARAMETERS	
LED Driver	SLA0 060 C23 M07 Inventronics
Working Voltage	AC100-277V
Frequency	50/60Hz
Power Factor	≥0.92C
Efficiency	>0.92
Dimming Function(VN)	5 steps Dimming (Virtual night setting)
Driver Surge Protection	6KV (grounded)
Surge Protection Device	Umax. 20KV (optional)
Twilight Function	Available
Driver IP Ranking	IP67
Electric Shock Safeguard	Class II
Driver Lifespan	>10000hrs @Ta 25°C
Ambient Temperature	-30°C/+50°C



AC power

STREET LIGHT - 80W

CITY23 Series - M

SLA0 060 C23 M07

OPTICAL PARAMETERS	SLA0 060 C23 M07
Light Source	LED
Module Qty	9
LED Brand	LUMILEDS
LED Model	LUXEON 5050
LED Chip Qty	54
Luminous Flux	128000lm
Luminous Efficiency	160lm/w
Beam Angle	146,83
Lens	DK-5050-146X83-TP-III-S-6HI-LUMILEDS5050
Light Distribution	TYPE III-S
Color Temperature	3000K-6500K
Color Rendering Index	>75
Led Lifespan	>10000hrs @Ta 25°C

PHYSICAL PARAMETERS	SLA0 060 C23 M07
Housing Material	Die-casting aluminium
Surface Treatment	Powder coating
Screen	Tempered glass
Lenses	High transparency PMMA
Maintainance Method	Tool free disassembly
Product Color	Customization available
Product Size - Product Weight	675x240mm - 4.2Kgs
Mounting Stem	60mm
IP Rating	IP66
IK Rating	IK08
Warranty	5 years

PACKING INFO	SLA0 060 C23 M07
Packing Method	Carton
Carton Capacity	1pc/ctn
Carton Size	650x250x150mm
Pallet Loading Capacity	60pcs/pallet
Pallet size	1200x1200mm

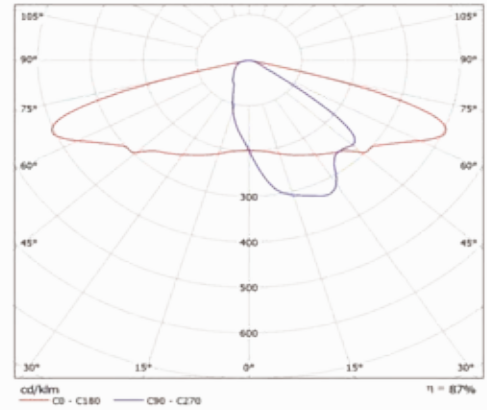


AC power

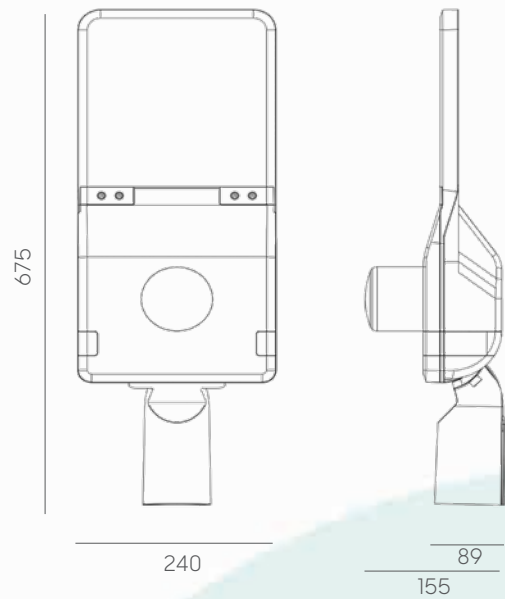
STREET LIGHT - 80W

CITY23 Series - M

SLA0 060 C23 M07



Luminous Intensity Distribution Curve





AC power

STREET LIGHT - 90W
CITY23 Series - L
SLA0 060 C23 L01



MAIN FEATURES	SLA0 060 C23 L01
Product Description	Led street light
Model	SLA0 060 C23 L01
Peak Power	90W
ELECTRICAL PARAMETERS	SLA0 060 C23 L01
LED Driver	Inventronics
Working Voltage	AC100-277V
Frequency	50/60Hz
Power Factor	≥0.92C
Efficiency	>0.92
Dimming Function(VN)	5 steps Dimming (Virtual night setting)
Driver Surge Protection	6KV (grounded)
Surge Protection Device	Umax. 20KV (optional)
Twilight Function	Available
Driver IP Ranking	IP67
Electric Shock Safeguard	Class II
Driver Lifespan	>10000hrs @Ta 25°C
Ambient Temperature	-30°C/+50°C



AC power

STREET LIGHT - 90W

CITY23 Series - L

SLA0 060 C23 L01

OPTICAL PARAMETERS	SLA0 060 C23 L01
Light Source	LED
Module Qty	12
LED Brand	LUMILEDS
LED Model	LUXEON 5050
LED Chip Qty	72
Luminous Flux	144000lm
Luminous Efficiency	160lm/w
Beam Angle	146,83
Lens	DK-5050-146X83-TP-III-S-6HI-LUMILEDS5050
Light Distribution	TYPE III-S
Color Temperature	3000K-6500K
Color Rendering Index	>75
Led Lifespan	>10000hrs @Ta 25°C

PHYSICAL PARAMETERS	SLA0 060 C23 L01
Housing Material	Die-casting aluminium
Surface Treatment	Powder coating
Screen	Tempered glass
Lenses	High transparency PMMA
Maintainance Method	Tool free disassembly
Product Color	Customization available
Product size - Product Weight	675x240mm - 5.3Kgs
Mounting Stem	60mm
IP Rating	IP66
IK Rating	IK08
Warranty	5 years

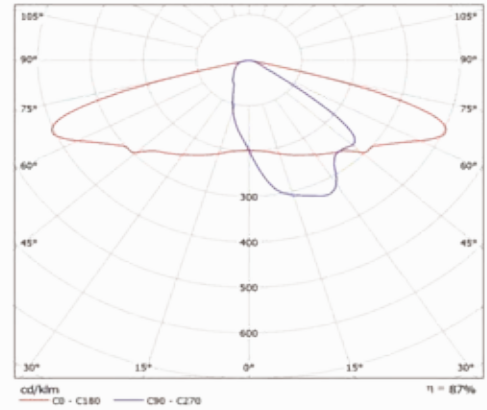
PACKING INFO	SLA0 060 C23 L01
Packing Method	Carton
Carton Capacity	1pc/ctn
Carton Size	725x250x150mm
Pallet Loading Capacity	50pcs/pallet
Pallet Size	1200x1200mm



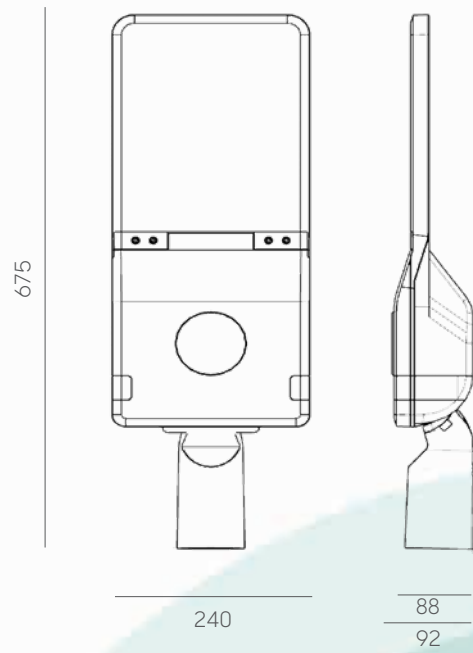
AC power

STREET LIGHT - 90W

CITY23 Series - L
SLA0 060 C23 L01



Luminous Intensity Distribution Curve





AC power

STREET LIGHT - 100W
CITY23 Series - L
SLA0 060 C23 L02



MAIN FEATURES	SLA0 060 C23 L02
Product Description	Led street light
Model	SLA0 060 C23 L02
Peak Power	100W
ELECTRICAL PARAMETERS	SLA0 060 C23 L02
LED Driver	Inventronics
Working Voltage	AC100-277V
Frequency	50/60Hz
Power Factor	≥0.92C
Efficiency	>0.92
Dimming Function(VN)	5 steps Dimming (Virtual night setting)
Driver Surge Protection	6KV (grounded)
Surge Protection Device	Umax. 20KV (optional)
Twilight Function	Available
Driver IP Ranking	IP67
Electric Shock Safeguard	Class II
Driver Lifespan	>10000hrs @Ta 25°C
Ambient Temperature	-30°C/+50°C



AC power

STREET LIGHT - 100W

CITY23 Series - L

SLA0 060 C23 L02

OPTICAL PARAMETERS	SLA0 060 C23 L02
Light Source	LED
Module Qty	12
LED Brand	LUMILEDS
LED Model	LUXEON 5050
LED Chip Qty	72
Luminous Flux	16000lm
Luminous Efficiency	160lm/w
Beam Angle	146,83
Lens	DK-5050-146X83-TP-III-S-6HI-LUMILEDS5050
Light Distribution	TYPE III-S
Color Temperature	3000K-6500K
Color Rendering Index	>75
Led Lifespan	>10000hrs @Ta 25°C

PHYSICAL PARAMETERS	SLA0 060 C23 L02
Housing Material	Die-casting aluminium
Surface Treatment	Powder coating
Screen	Tempered glass
Lenses	High transparency PMMA
Maintainance Method	Tool free disassembly
Product Color	Customization available
Product Size - Product Weight	675x240mm - 5.3Kgs
Mounting Stem	60mm
IP Rating	IP66
IK Rating	IK08
Warranty	5 years

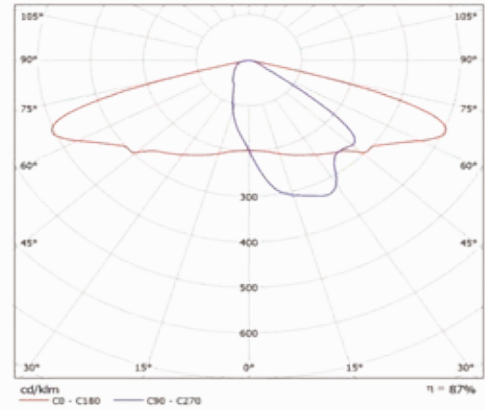
PACKING INFO	SLA0 060 C23 L02
Packing Method	Carton
Carton Capacity	1pc/ctn
Carton Size	725x250x150mm
Pallet Loading Capacity	50pcs/pallet
Pallet Size	1200x1200mm



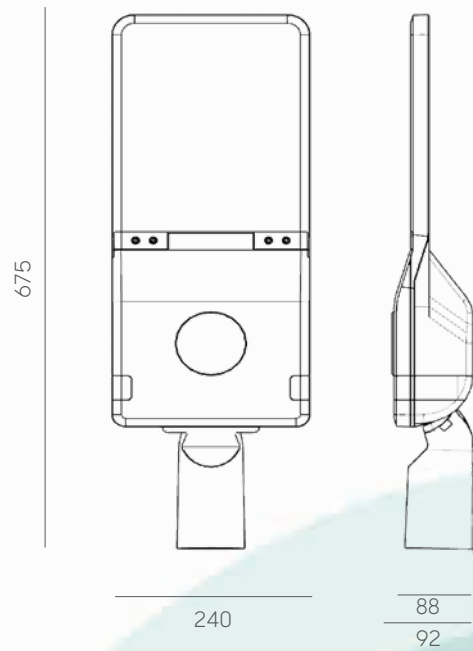
AC power

STREET LIGHT - 100W

CITY23 Series - L
SLA0 060 C23 L02



Luminous Intensity Distribution Curve





AC power

STREET LIGHT - 110W

CITY23 Series - L

SLA0 060 C23 L03



MAIN FEATURES	
Product Description	SLA0 060 C23 L03 Led street light
Model	SLA0 060 C23 L03
Peak Power	110W
ELECTRICAL PARAMETERS	
LED Driver	SLA0 060 C23 L03 Inventronics
Working Voltage	AC100-277V
Frequency	50/60Hz
Power Factor	≥0.92C
Efficiency	>0.92
Dimming Function(VN)	5 steps Dimming (Virtual night setting)
Driver Surge Protection	6KV (grounded)
Surge Protection Device	Umax. 20KV (optional)
Twilight Function	Available
Driver IP Ranking	IP67
Electric Shock Safeguard	Class II
Driver Lifespan	>10000hrs @Ta 25°C
Ambient Temperature	-30°C/+50°C



AC power

STREET LIGHT - 110W

CITY23 Series - L

SLA0 060 C23 L03

OPTICAL PARAMETERS	SLA0 060 C23 L03
Light Source	LED
Module Qty	12
LED Brand	LUMILEDS
LED Model	LUXEON 5050
LED Chip Qty	72
Luminous Flux	17600lm
Luminous Efficiency	160lm/w
Beam Angle	146,83
Lens	DK-5050-146X83-TP-III-S-6HI-LUMILEDS5050
Light Distribution	TYPE III-S
Color Temperature	3000K-6500K
Color Rendering Index	>75
Led Lifespan	>10000hrs @Ta 25°C

PHYSICAL PARAMETERS	SLA0 060 C23 L03
Housing Material	Die-casting aluminium
Surface Treatment	Powder coating
Screen	Tempered glass
Lenses	High transparency PMMA
Maintainance Method	Tool free disassembly
Product Color	Customization available
Product Size - Product Weight	675x240mm - 5.3Kgs
Mounting Stem	60mm
IP Rating	IP66
IK Rating	IK08
Warranty	5 years

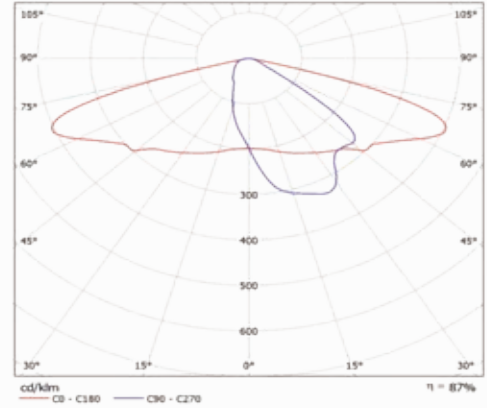
PACKING INFO	SLA0 060 C23 L03
Packing Method	Carton
Carton Capacity	1pc/ctn
Carton Size	725x250x150mm
Pallet Loading Capacity	50pcs/pallet
Pallet Size	1200x1200mm



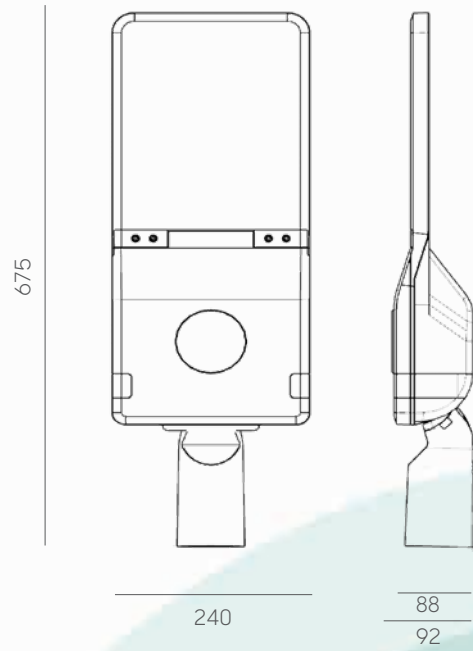
AC power

STREET LIGHT - 110W

CITY23 Series - L
SLA0 060 C23 L03



Luminous Intensity Distribution Curve





AC power

STREET LIGHT - 120W
CITY23 Series - L
SLA0 060 C23 L04



MAIN FEATURES	SLA0 060 C23 L04
Product Description	Led street light
Model	SLA0 060 C23 L04
Peak Power	120W
ELECTRICAL PARAMETERS	SLA0 060 C23 L04
LED Driver	Inventronics
Working Voltage	AC100-277V
Frequency	50/60Hz
Power Factor	≥0.92C
Efficiency	>0.92
Dimming Function(VN)	5 steps Dimming (Virtual night setting)
Driver Surge Protection	6KV (grounded)
Surge Protection Device	Umax. 20KV (optional)
Twilight Function	Available
Driver IP Ranking	IP67
Electric Shock Safeguard	Class II
Driver Lifespan	>10000hrs @Ta 25°C
Ambient Temperature	-30°C/+50°C



AC power

STREET LIGHT - 120W

CITY23 Series - L

SLA0 060 C23 L04

OPTICAL PARAMETERS	SLA0 060 C23 L04
Light Source	LED
Module Qty	12
LED Brand	LUMILEDS
LED Model	LUXEON 5050
LED Chip Qty	72
Luminous Flux	19200lm
Luminous Efficiency	160lm/w
Beam Angle	146,83
Lens	DK-5050-146X83-TP-III-S-6HI-LUMILEDS5050
Light Distribution	TYPE III-S
Color Temperature	3000K-6500K
Color Rendering Index	>75
Led Lifespan	>10000hrs @Ta 25°C

PHYSICAL PARAMETERS	SLA0 060 C23 L04
Housing Material	Die-casting aluminium
Surface Treatment	Powder coating
Screen	Tempered glass
Lenses	High transparency PMMA
Maintainance Method	Tool free disassembly
Product Color	Customization available
Product Size - Product Weight	675x240mm - 5.3Kgs
Mounting Stem	60mm
IP Rating	IP66
IK Rating	IK08
Warranty	5 years

PACKING INFO	SLA0 060 C23 L04
Packing method	Carton
Carton capacity	1pc/ctn
Carton size	725x250x150mm
Pallet loading capacity	50pcs/pallet
Pallet size	1200x1200mm

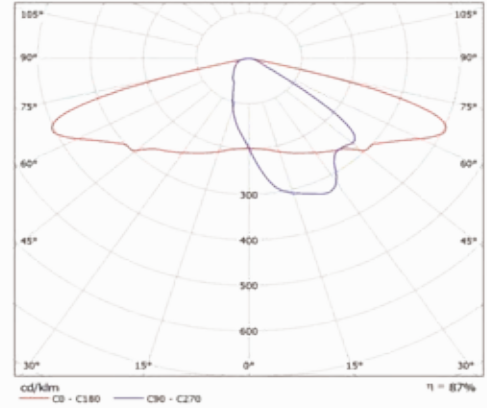


AC power

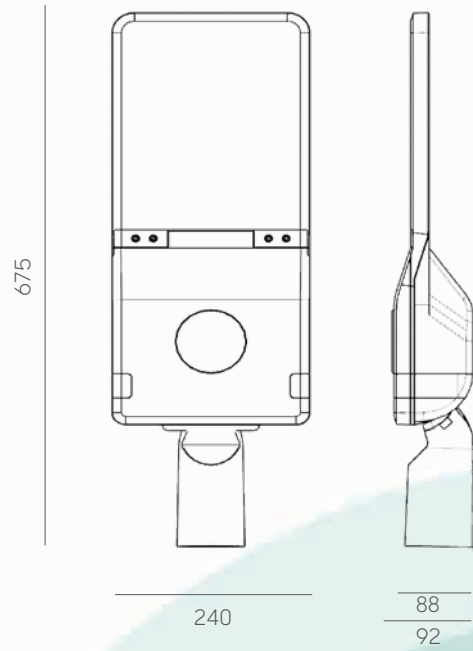
STREET LIGHT - 120W

CITY23 Series - L

SLA0 060 C23 L04



Luminous Intensity Distribution Curve





AC power

STREET LIGHT - 150W
CITY23 Series - L
SLA0 060 C23 L05



MAIN FEATURES	SLA0 060 C23 L05
Product Description	Led street light
Model	SLA0 060 C23 L05
Peak Power	150W
ELECTRICAL PARAMETERS	SLA0 060 C23 L05
LED Driver	Inventronics
Working Voltage	AC100-277V
Frequency	50/60Hz
Power Factor	≥0.92C
Efficiency	>0.92
Dimming Function(VN)	5 steps Dimming (Virtual night setting)
Driver Surge Protection	6KV (grounded)
Surge Protection Device	Umax. 20KV (optional)
Twilight Function	Available
Driver IP Ranking	IP67
Electric Shock Safeguard	Class II
Driver Lifespan	>10000hrs @Ta 25°C
Ambient Temperature	-30°C/+50°C



AC power

STREET LIGHT - 150W

CITY23 Series - L

SLA0 060 C23 L05

OPTICAL PARAMETERS	SLA0 060 C23 L05
Light Source	LED
Module Qty	12
LED Brand	LUMILEDS
LED Model	LUXEON 5050
LED Chip Qty	72
Luminous Flux	23250lm
Luminous Efficiency	155lm/w
Beam Angle	146,83
Lens	DK-5050-146X83-TP-III-S-6HI-LUMILEDS5050
Light Distribution	TYPE III-S
Color Temperature	3000K-6500K
Color Rendering Index	>75
Led Lifespan	>10000hrs @Ta 25°C

PHYSICAL PARAMETERS	SLA0 060 C23 L05
Housing Material	Die-casting aluminium
Surface Treatment	Powder coating
Screen	Tempered glass
Lenses	High transparency PMMA
Maintainance Method	Tool free disassembly
Product Color	Customization available
Product Size - Product Weight	675x240mm - 5.3Kgs
Mounting Stem	60mm
IP Rating	IP66
IK Rating	IK08
Warranty	5 years

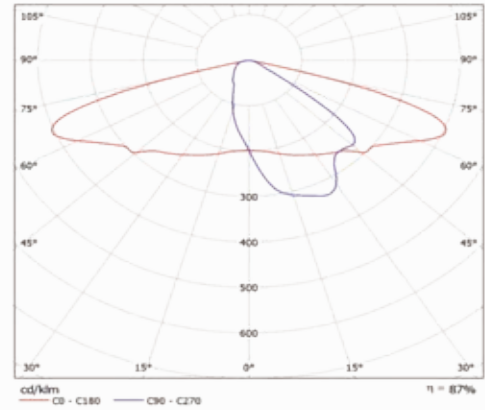
PACKING INFO	SLA0 060 C23 L05
Packing Method	Carton
Carton Capacity	1pc/ctn
Carton Size	725x250x150mm
Pallet Loading Capacity	50pcs/pallet
Pallet Size	1200x1200mm



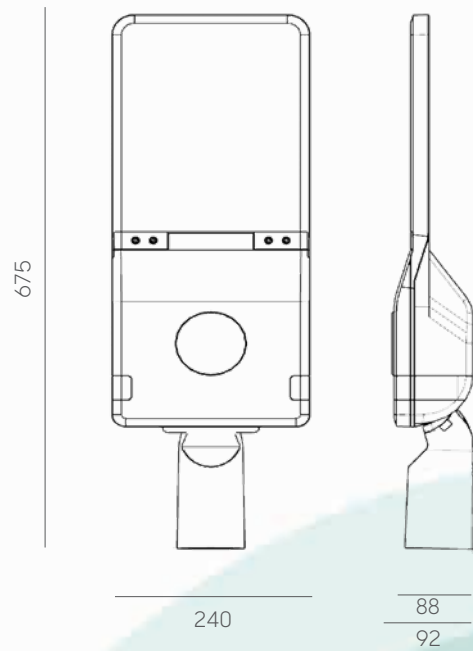
AC power

STREET LIGHT - 150W

CITY23 Series - L
SLA0 060 C23 L05



Luminous Intensity Distribution Curve





AC power

STREET LIGHT - 160W
CITY23 Series - L
SLA0 060 C23 L06



MAIN FEATURES	SLA0 060 C23 L06
Product Description	Led street light
Model	SLA0 060 C23 L06
Peak Power	160W
ELECTRICAL PARAMETERS	SLA0 060 C23 L06
LED Driver	Inventronics
Working Voltage	AC100-277V
Frequency	50/60Hz
Power Factor	≥0.92C
Efficiency	>0.92
Dimming Function(VN)	5 steps Dimming (Virtual night setting)
Driver Surge Protection	6KV (grounded)
Surge Protection Device	Umax. 20KV (optional)
Twilight Function	Available
Driver IP Ranking	IP67
Electric Shock Safeguard	Class II
Driver Lifespan	>10000hrs @Ta 25°C
Ambient Temperature	-30°C/+50°C



AC power

STREET LIGHT - 160W

CITY23 Series - L

SLA0 060 C23 L06

OPTICAL PARAMETERS	SLA0 060 C23 L06
Light Source	LED
Module Qty	12
LED Brand	LUMILEDS
LED Model	LUXEON 5050
LED Chip Qty	72
Luminous Flux	24800lm
Luminous Efficiency	155lm/w
Beam Angle	146,83
Lens	DK-5050-146X83-TP-III-S-6HI-LUMILEDS5050
Light Distribution	TYPE III-S
Color Temperature	3000K-6500K
Color Rendering Index	>75
Led Lifespan	>10000hrs @Ta 25°C

PHYSICAL PARAMETERS	SLA0 060 C23 L06
Housing Material	Die-casting aluminium
Surface Treatment	Powder coating
Screen	Tempered glass
Lenses	High transparency PMMA
Maintainance Method	Tool free disassembly
Product Color	Customization available
Product Size - Product Weight	675x240mm - 5.3Kgs
Mounting Stem	60mm
IP Rating	IP66
IK Rating	IK08
Warranty	5 years

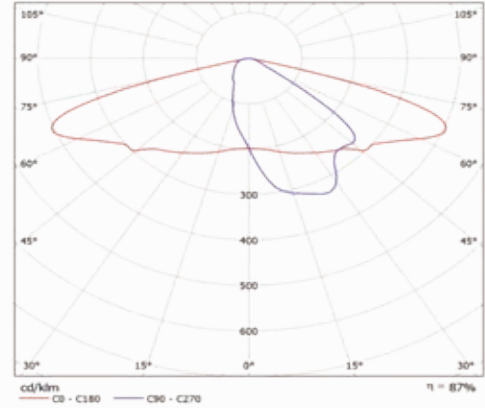
PACKING INFO	SLA0 060 C23 L06
Packing Method	Carton
Carton Capacity	1pc/ctn
Carton Size	725x250x150mm
Pallet Loading Capacity	50pcs/pallet
Pallet Size	1200x1200mm



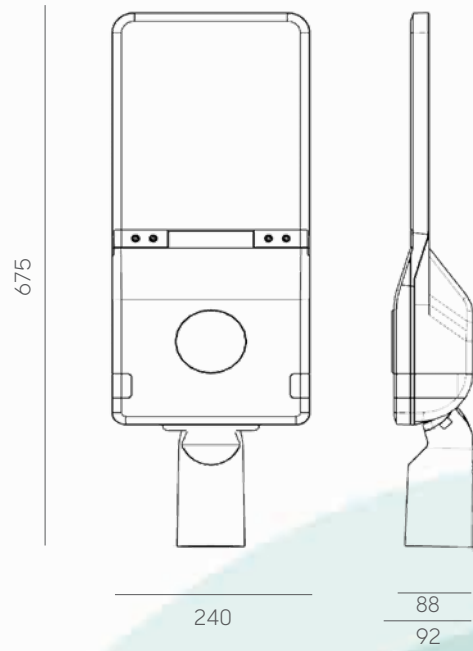
AC power

STREET LIGHT - 160W

CITY23 Series - L
SLA0 060 C23 L06



Luminous Intensity Distribution Curve





AC power

STREET LIGHT - 180W
CITY23 Series - L
SLA0 060 C23 L07



MAIN FEATURES	SLA0 060 C23 L07
Product Description	Led street light
Model	SLA0 060 C23 L07
Peak Power	180W
ELECTRICAL PARAMETERS	SLA0 060 C23 L07
LED Driver	Inventronics
Working Voltage	AC100-277V
Frequency	50/60Hz
Power Factor	≥0.92C
Efficiency	>0.92
Dimming Function(VN)	5 steps Dimming (Virtual night setting)
Driver Surge Protection	6KV (grounded)
Surge Protection Device	Umax. 20KV (optional)
Twilight Function	Available
Driver IP Ranking	IP67
Electric Shock Safeguard	Class II
Driver Lifespan	>10000hrs @Ta 25°C
Ambient Temperature	-30°C/+50°C



AC power

STREET LIGHT - 180W

CITY23 Series - L

SLA0 060 C23 L07

OPTICAL PARAMETERS	SLA0 060 C23 L07
Light Source	LED
Module Qty	12
LED Brand	LUMILEDS
LED Model	LUXEON 5050
LED Chip Qty	72
Luminous Flux	27000lm
Luminous Efficiency	150lm/w
Beam Angle	146,83
Lens	DK-5050-146X83-TP-III-S-6HI-LUMILEDS5050
Light Distribution	TYPE III-S
Color Temperature	3000K-6500K
Color Rendering Index	>75
Led Lifespan	>10000hrs @Ta 25°C

PHYSICAL PARAMETERS	SLA0 060 C23 L07
Housing Material	Die-casting aluminium
Surface Treatment	Powder coating
Screen	Tempered glass
Lenses	High transparency PMMA
Maintainance Method	Tool free disassembly
Product Color	Customization available
Product Size - Product Weight	675x240mm - 5.3Kgs
Mounting Stem	60mm
IP Rating	IP66
IK Rating	IK08
Warranty	5 years

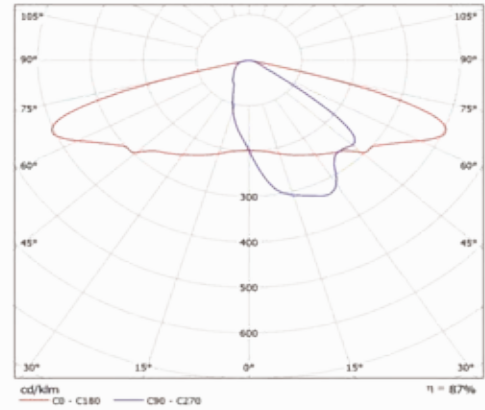
PACKING INFO	SLA0 060 C23 L07
Packing Method	Carton
Carton Capacity	1pc/ctn
Carton Size	725x250x150mm
Pallet Loading Capacity	50pcs/pallet
Pallet Size	1200x1200mm



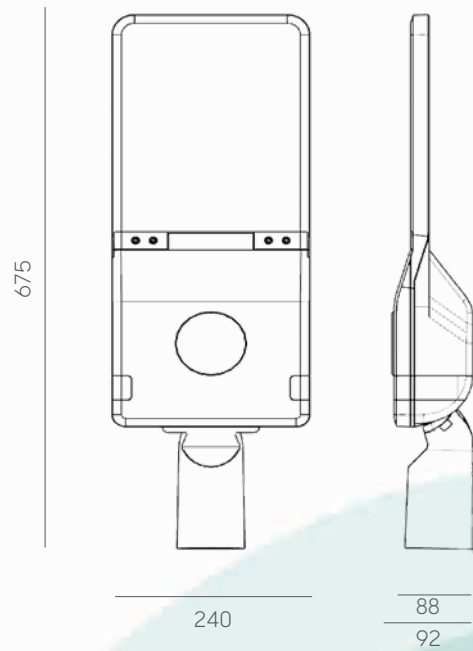
AC power

STREET LIGHT - 180W

CITY23 Series - L
SLA0 060 C23 L07



Luminous Intensity Distribution Curve





www.enetra.it



ARISON Italia srl
Via Santissima Trinità 3 - 41121 Modena - Italy
info@arisonitalia.com