



GASOLINE INVERTER SILENT GENERATOR SET - 1.8KW

EG 2250/iGS



GENERATOR SET

Rated power	1.8 KW
Rated voltage	230 V
Rated current	7.8 AMPS
Frequency	50 Hz
Speed	3600 rpm

GENERATOR

Number of phases	One
Starting type	Recoil
Power factor	1.0
Fuel consumption	1.1 L/hr at 75% load
Fuel tank capacity	6 L

ENGINE

Engine model	H80i
Structure type	Single cylinder, in-lined, 4 stroke, air cooled, direct-injected
Bore x stroke	48.6 x 43.0
Displacement	79.7 cc
Compression ratio	9.5 : 1
Rated power	2.2 KWm
Oil model	SE 10W-30
Ignition system	Full transistor

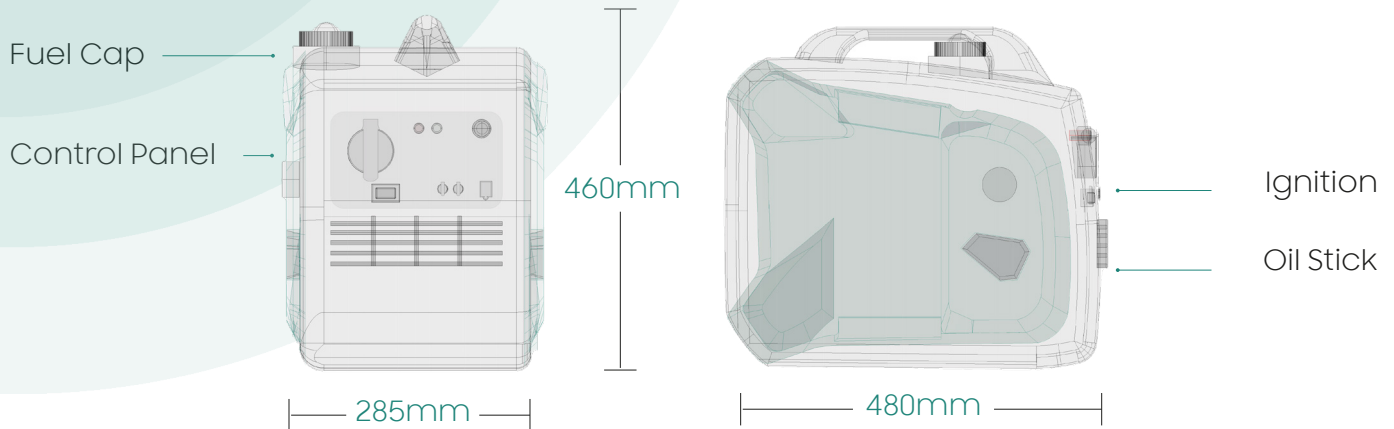
GENSET

Sound level	67 dBA at 7m
Weight	18.0 Kg
Dimensions	480x285x460 mm



GASOLINE INVERTER SILENT GENERATOR SET - 1.8KW

EG 2250/iGS



This Gasoline Inverter Silent Generator has a high end electronic upgrade. Delivering the latest technology, the inverter generator is an economy saver when it comes to fuel consumption and operates silently making it suitable for use in any outdoor environment. With low maintenance and a compact design, the EG 2250/iGS delivers sufficient power to meet your needs.

