



## DIESEL SILENT GENERATOR SET - 5.5KVA EG 6500/DS-E



### GENERATOR SET

Rated power	5.5 KVA
Rated voltage	230 V
Rated current	20.5 AMPS
Frequency	50 Hz
Speed	3000 rpm

### GENERATOR

Number of phases	One
Starting type	Self Excitation (with AVR)
Power factor	1.0
Fuel consumption	2.12 L/hr at 75% load
Fuel tank capacity	13 L

### ENGINE

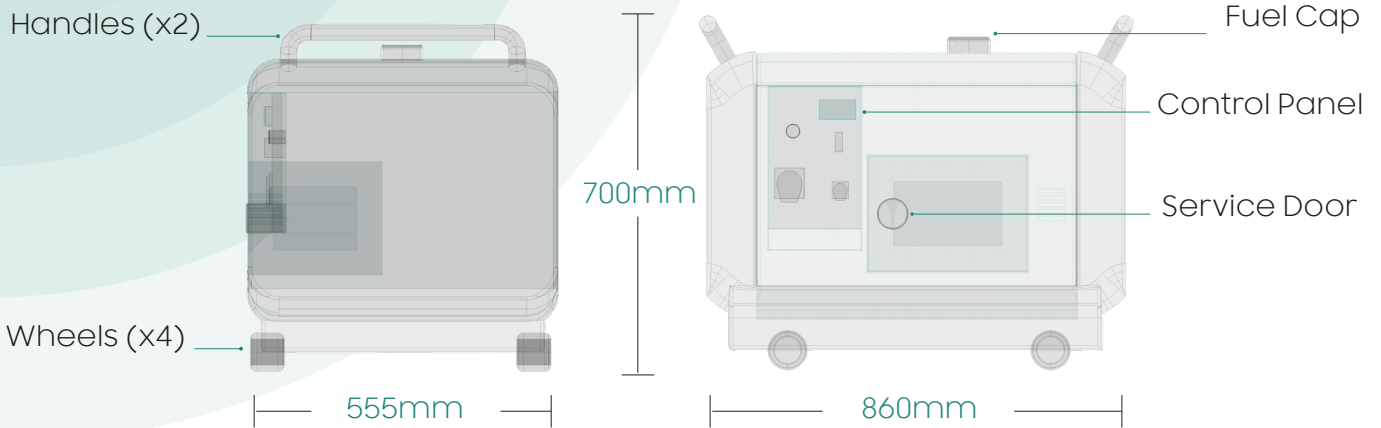
Engine model	SH186FA
Structure type	Single cylinder, in-lined, 4 stroke, air cooled, direct-injected
Bore x stroke	86.0 x 72.0
Displacement	418 cc
Compression ratio	19 : 1
Rated power	6.0 KWm
Oil model	SE 10W-30 or SE 15W-40

### GENSET

Sound level	65 dBA at 7m
Weight	151 Kg
Dimensions	860x555x700 mm



## DIESEL SILENT GENERATOR SET - 5.5KVA EG 6500/DS-E



Designed to provide efficient power generation with low noise, EG 6500/DS-E is a reliable and quiet power solution in an increasingly power reliant world. Silent diesel generators have become reliable in various industries such as hospitals, clinics and houses, due to their silent feature. With low maintenance and a compact design, the EG 6500/DS-E delivers sufficient power to meet your needs.

